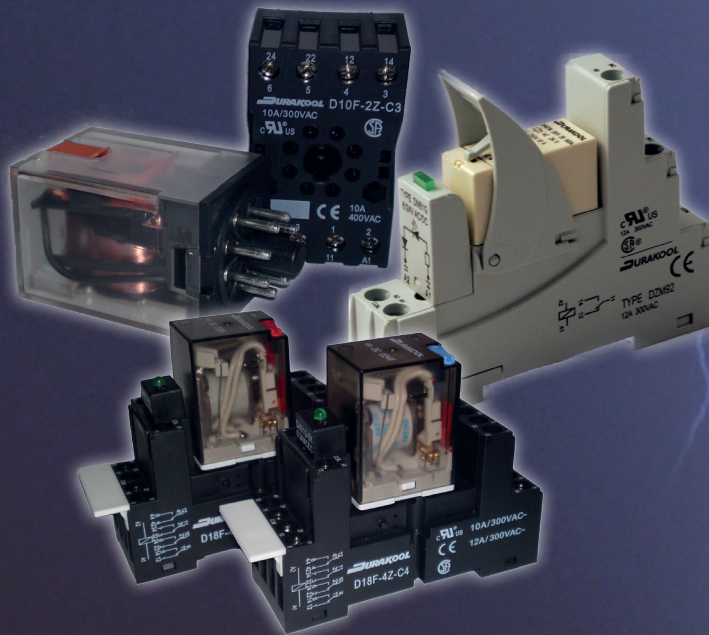


DURAKOOL

Sockets for Relays



sockets for
miniature relays
industrial relays
automotive relays
interface relays

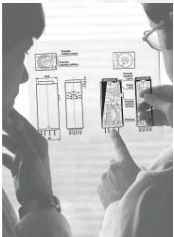
www.durakoolrelays.com



Established in 1935 to manufacture switching devices for power generation

Durakool is a renowned manufacturer of switching and sensing components

used in industrial and power automation, power electronics, industrial electronics, automotive and telecommunications applications.

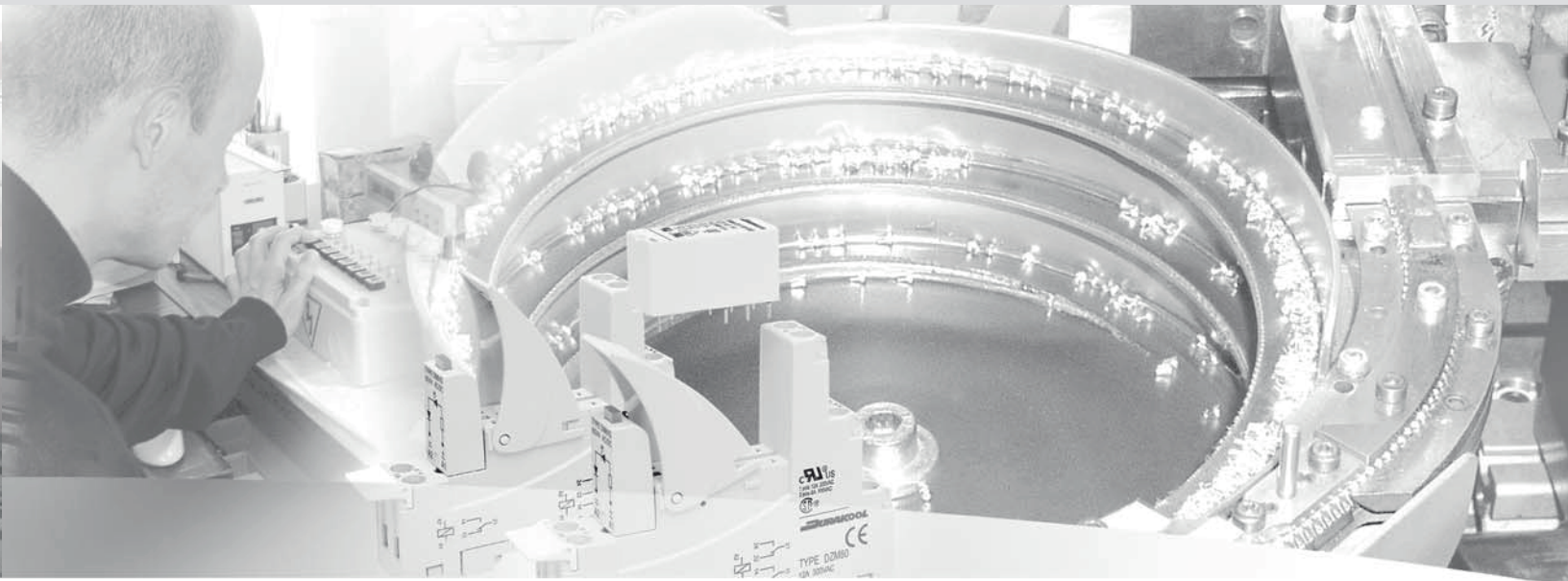


American Electronic Components and Durakool provide their partners technical consultation based upon **extensive application knowledge and experience.**

After many years of development and innovation, we understand that **quality is paramount** and we pursue a policy of continuous improvement.

For in depth information and data sheets, visit our web site at www.durakoolrelays.com or www.aecensors.com

Due to our very wide product range, **please consult us or your distributor for non-standard items.**



Controlling electricity for over 75 years!

American Electronic Components and Durakool

offer an extensive range of:

ELECTROMECHANICAL RELAYS AND CONTACTORS

RELAY SOCKETS

MERCURY RELAYS AND CONTACTORS

TILT AND TIP OVER SWITCHES












FLOAT SWITCHES

LIQUID LEVEL SENSORS

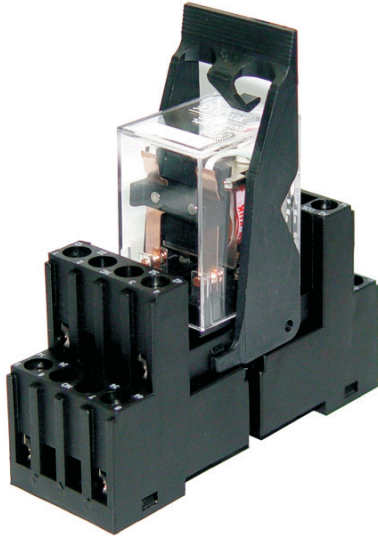
PROXIMITY SENSORS

G-FORCE SENSORS AND SWITCHES

HERMETIC SEALS, FEED THRU'S AND SIGHT GLASSES

Durakool Relay	Socket	Page Number
D15 / DX15 DPDT (8 Pin) 	D10F-2Z-C1, D10F-2Z-C2, D10F-2Z-C5	16
	D10F-2Z-C3, D10F-2Z-C4	17
	DZ8	19
	DP2CF08	20
D15 / DX15 3PDT (11 Pin) 	D10F-3Z-C1, D10F-3Z-C2	17
	D10F-3Z-C3, D10F-3Z-C4, D10F-3Z-C5	18
	DZ11, DP2CF11	19
D2 / DX2 DPDT 	D18F-2Z-C1, D18F-2Z-C2	9
	D18F-2Z-C3, D18F-2Z-C4, D18F-2Z-C5, D18F-2Z-C9	4
	D18F-2Z-C6, D18F-2Z-C7, D18F-2Z-C8	7
	D18F-2Z-A1, D18F-2Z-A2	8
	DZM2	19
D3 / DX3 3PDT 	D18F-3Z-C2	10
	D18F-3Z-C4, D18F-3Z-C5	5
	D18F-3Z-A1, D18F-3Z-A2, D18F-3Z-C1	9
D4 / DX4 4PDT 	D18F-4Z-C3, D18F-4Z-C4, D18F-4Z-C5	5
	D18F-4Z-C6, D18F-4Z-C9, D18F-4Z-B	6
	D18F-4Z-C7, D18F-4Z-C8	7
	D18F-4Z-C1N	8
	D18F-4Z-C2N, D18F-4Z-A, D18F-4Z-A1, D18F-4Z-A2	10
	DZM4	19
DG55 	DZ85 Series	28
DG56	DZ85 Series	28
DG85A, DG85B	DZ85 Series	28
DM41, DM87N, DX87N 	D14F-1Z-A1, D14F-1Z-A2, D14F-1Z-C2	11
	D14F-1Z-C3N, D14F-1Z-C4, D14F-1Z-C5	12
DM42, DM43, DM84, DM85, DX84, DX85 	D14F-2Z-C3N	11
	D14F-2Z-A1	12
	D14F-2Z-A2, D14F-2Z-C2, D14F-2Z-C4, D18F-2Z-C5	13
DUC 	D166F-2Z-C1, D166F-3Z-C1, DUC11	20
DY2 	D13F-2Z-C2, D13F-2Z-A, D13F-2Z-A1, D13F-2Z-A2, D13F-2Z-B, D13F-2Z-C1, D13F-2Z-C3, D13F-2Z-C4	14
DY4 	D13F-4Z-C1	15

■ performance parameters



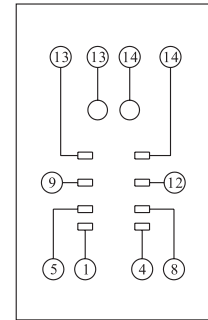
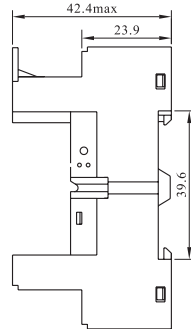
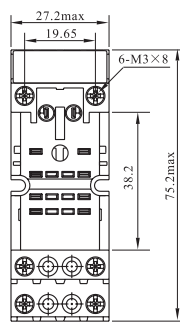
D18F-2Z-C4




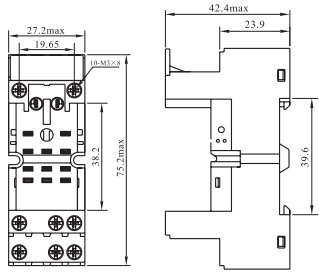
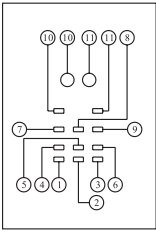
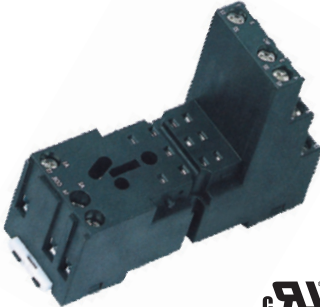
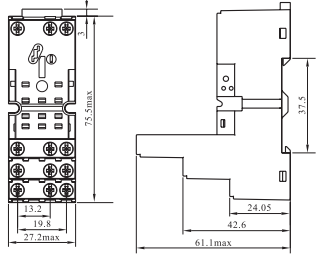
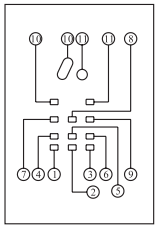

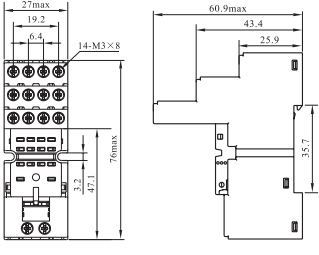
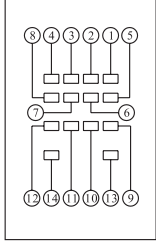
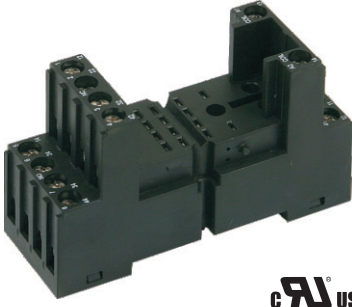
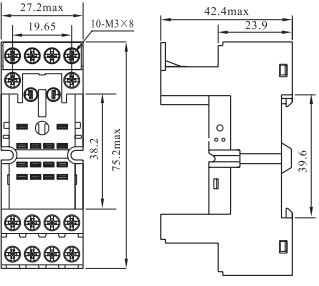
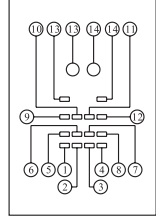
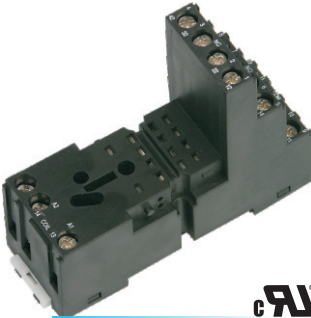
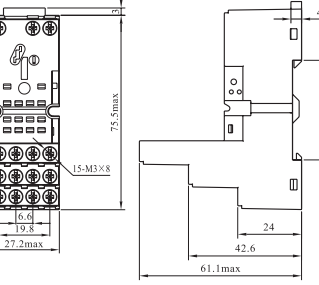
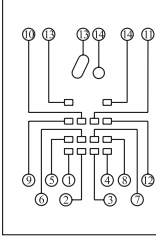
Rated voltage : 300VAC
 Rated current : 10A
 Insulation voltage : $\geq 3KV$
 Socket material : PA66+GF (V1/V0)
 Contacts spring material : QSn6.5-0.1
 Hold down spring (on request) : Steel wire - various, see Page 25
 Ejector clip : Various depending on relay type - see Page 25
 Module : see Pages 21-23

■ outline drawing

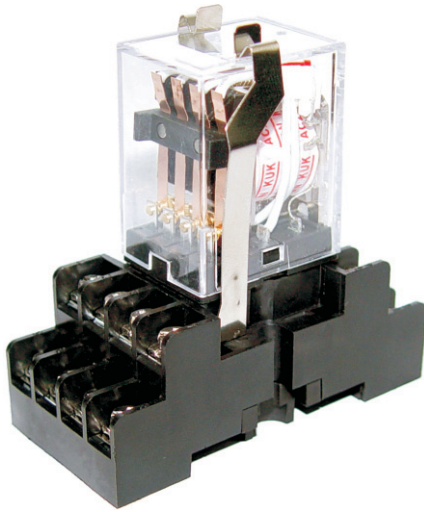
■ wiring diagram



	parameters	outline drawing	wiring diagram
<p>D18F-2Z-C3</p>	<p>Rated voltage : 300VAC Rated current : 10A Insulation voltage : $\geq 3KV$ Socket material : PA66+GF (V1/V0) Contacts spring material : QSn6.5-0.1</p> <p>Hold down spring (on request) : Steel wire - various, see Page 25</p> <p>Ejector clip : Various, depending on relay type - see Page 25 Module : see Page 24</p>		
<p>D18F-2Z-C5</p>	<p>Rated voltage : 300VAC Rated current : 10A Insulation voltage : $\geq 3KV$ Socket material : PA66+GF (V1/V0) Contacts spring material : QSn6.5-0.1</p> <p>Hold down spring (on request) : Steel wire - various, see Page 25</p> <p>Ejector clip : Various, depending on relay type - see Page 25 Module : see Pages 21-23</p>		
<p>D18F-2Z-C9</p>	<p>Rated voltage : 300VAC Rated current : 10A Insulation voltage : $\geq 3KV$ Socket material : PA66+GF (V1/V0) Contacts spring material : QSn6.5-0.1</p> <p>Hold down spring (on request) : Steel wire - various, see Page 25</p> <p>Ejector clip : Various, depending on relay type - see Page 25 Module : see Page 21-23</p>		

	parameters	outline drawing	wiring diagram
 <p>D18F-3Z-C4</p>	<p>Rated voltage : 300VAC Rated current : 10A Insulation voltage : $\geq 3KV$ Socket material : PA66+GF (V1/V0) Contacts spring material : QSn6.5-0.1</p> <p>Hold down spring (on request) : Steel wire - various, see Page 25</p> <p>Ejector clip : Various, depending on relay type - see Page 25 Module : see Pages 21-23</p>		
 <p>D18F-3Z-C5</p>	<p>Rated voltage : 300VAC Rated current : 10A Insulation voltage : $\geq 3KV$ Socket material : PA66+GF (V1/V0) Contacts spring material : QSn6.5-0.1</p> <p>Hold down spring (on request) : Steel wire - various, see Page 25</p> <p>Ejector clip : Various, depending on relay type - see Page 25 Module : see Pages 21-23</p>		
 <p>D18F-4Z-C3</p>	<p>Rated voltage : 300VAC Rated current : 10A Insulation voltage : $\geq 3KV$ Socket material : PA66+GF (V1/V0) Contacts spring material : QSn6.5-0.1</p> <p>Hold down spring (on request) : Steel wire - various, see Page 25</p> <p>Ejector clip : Various, depending on relay type - see Page 25 Module : see Page 24</p>		
 <p>D18F-4Z-C4</p>	<p>Rated voltage : 300VAC Rated current : 10A Insulation voltage : $\geq 3KV$ Socket material : PA46-S250F6 (V1/V0) Contacts spring material : QSn6.5-0.1</p> <p>Hold down spring (on request) : Steel wire - various, see Page 25 Ejector clip : Various, depending on relay type - see Page 25 Module : see Pages 21-23</p>		
 <p>D18F-4Z-C5</p>	<p>Rated voltage : 300VAC Rated current : 10A Insulation voltage : $\geq 3KV$ Socket material : PA46-S250F6 (V1/V0) Contacts spring material : QSn6.5-0.1</p> <p>Hold down spring (on request) : Steel wire - various, see Page 25 Ejector clip : Various, depending on relay type - see Page 25 Module : see Pages 21-23</p>		

■ performance parameters

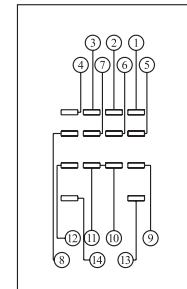
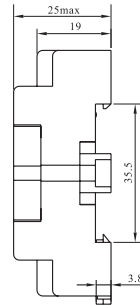
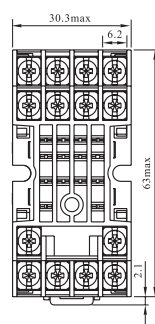


Rated voltage : 250VAC
 Rated current : 5A
 Insulation voltage : ≥ 3KV
 Socket material : PA66+GF (V1/V0)
 Contacts spring material : QSn6.5-0.1
 Hold down spring (on request) : JH-505RC. see Page 25
 Module : No

■ outline drawing

■ wiring diagram

D18F-4Z-C6



parameters

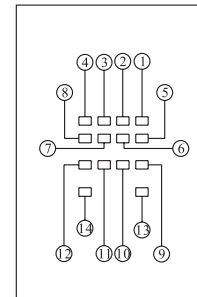
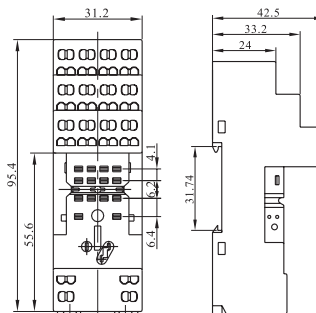
outline drawing

wiring diagram



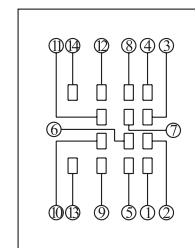
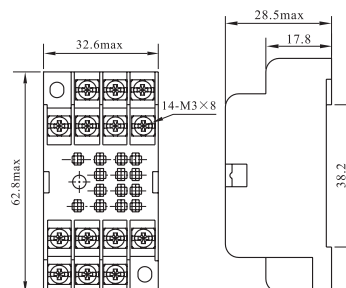
Rated voltage : 300VAC
 Rated current : 10A
 Insulation voltage : ≥ 3KV
 Socket material : PA66+GF (V1/V0)
 Contacts spring material : QSn6.5-0.1
 Hold down spring (on request) : Steel wire - various, see Page 25
 Ejector clip : Various, depending on relay type - see Page 25
 Module : see Pages 21-23


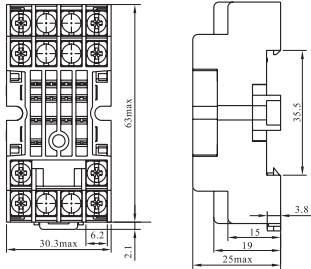
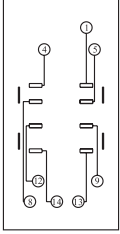
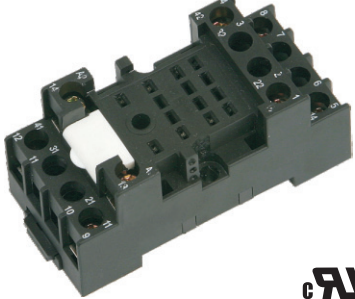
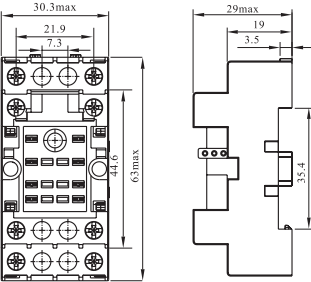
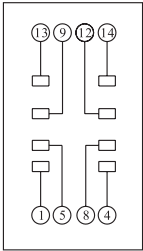

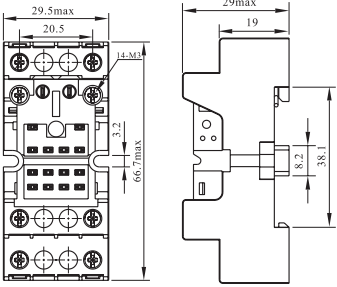
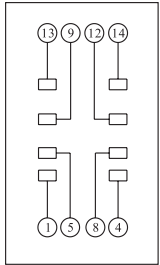
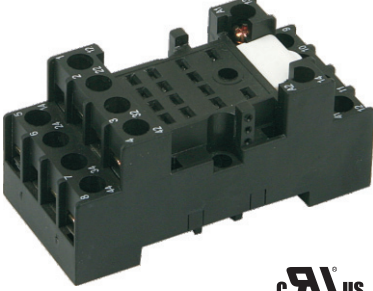
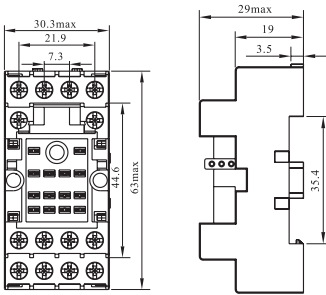
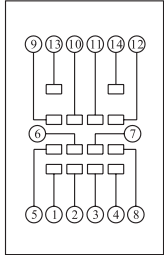

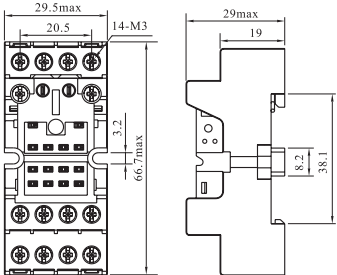
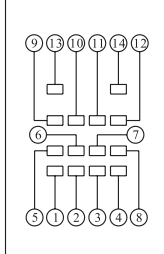
D18F-4Z-C9



Rated voltage : 250VAC
 Rated current : 5A
 Insulation voltage : ≥ 3KV
 Socket material : PA46-S250F6 (V1/V0)
 Contacts spring material : QSn6.5-0.1
 Hold down spring (on request) : Steel wire - various, see Page 25
 Ejector clip : Various, depending on relay type - see Page 25
 Module : No

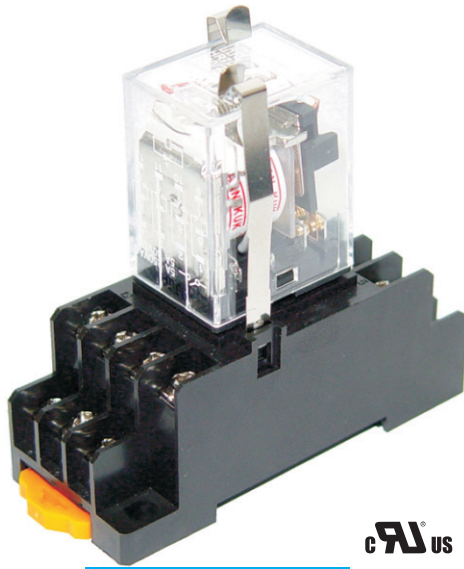
D18F-4Z-B



	parameters	outline drawing	wiring diagram
 <p>D18F-2Z-C6</p>	<p>Rated voltage : 250VAC Rated current : 5A Insulation voltage : $\geq 3KV$ Socket material : PA66+GF (V1/V0) Contacts spring material : QSn6.5-0.1</p> <p>Hold down spring (on request) : Steel wire - various, see Page 25</p> <p>Module : see Page 24</p>		
 <p>D18F-2Z-C7</p>	<p>Rated voltage : 250VAC Rated current : 5A Insulation voltage : $\geq 3KV$ Socket material : PA66+GF (V1/V0) Contacts spring material : QSn6.5-0.1</p> <p>Hold down spring (on request) : Steel wire - various, see Page 25</p> <p>Module : No</p>		
 <p>D18F-2Z-C8</p>	<p>Rated voltage : 250VAC Rated current : 5A Insulation voltage : $\geq 3KV$ Socket material : PA66+GF (V1/V0) Contacts spring material : QSn6.5-0.1</p> <p>Hold down spring (on request) : Steel wire - various, see Page 25</p> <p>Ejector clip : Various, depending on relay type - see Page 25</p> <p>Module : see Pages 21-23</p>		
 <p>D18F-4Z-C7</p>	<p>Rated voltage : 250VAC Rated current : 5A Insulation voltage : $\geq 3KV$ Socket material : PA66+GF (V1/V0) Contacts spring material : QSn6.5-0.1</p> <p>Hold down spring (on request) : Steel wire - various, see Page 25</p> <p>Ejector clip : Various, depending on relay type - see Page 25</p> <p>Module : No</p>		
 <p>D18F-4Z-C8</p>	<p>Rated voltage : 300VAC Rated current : 10A Insulation voltage : $\geq 3KV$ Socket material : PA66+GF (V1/V0) Contacts spring material : QSn6.5-0.1</p> <p>Hold down spring (on request) : Steel wire - various, see Page 25</p> <p>Ejector clip : Various, depending on relay type - see Page 25</p> <p>Module : see Pages 21-23</p>		

■ performance parameters

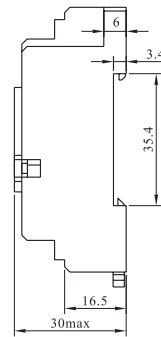
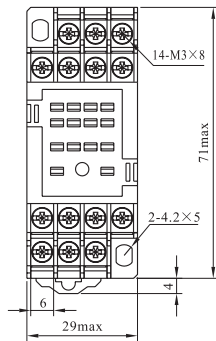
Rated voltage : 250VAC
 Rated current : 5A
 Insulation voltage : ≥ 3KV
 Socket material : PA46-S250F6 (V1/V0)
 Contacts spring material : QSn6.5-0.1
 Hold down spring (on request) : JH-006RC. see Page 25
 Module : No



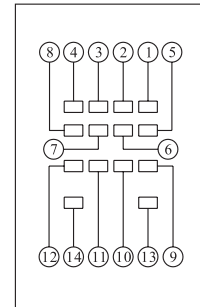
D18F-4Z-C1N



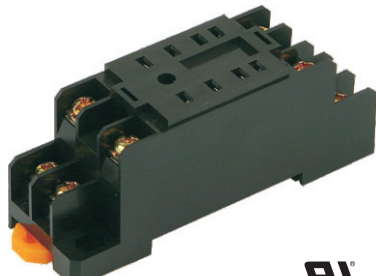
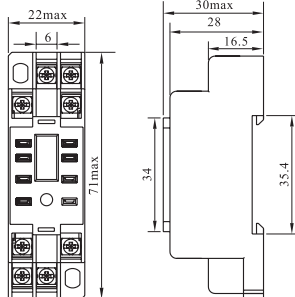
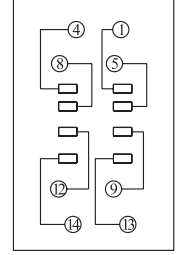
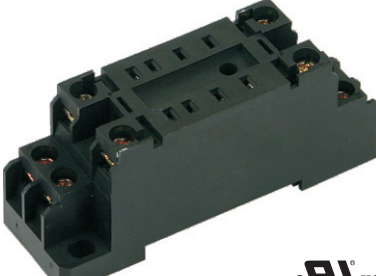
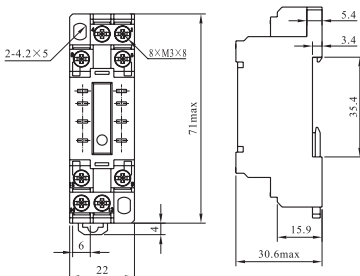
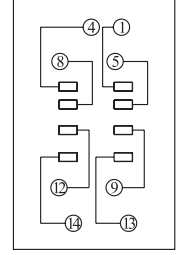
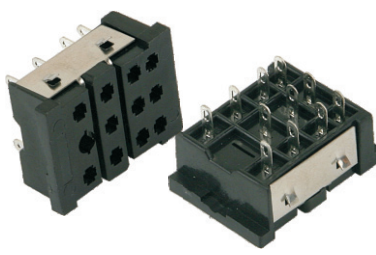
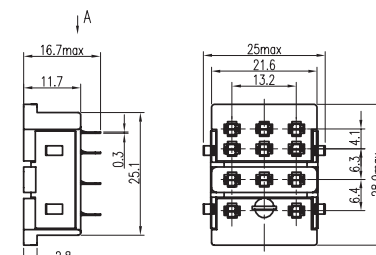
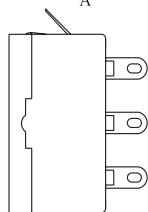
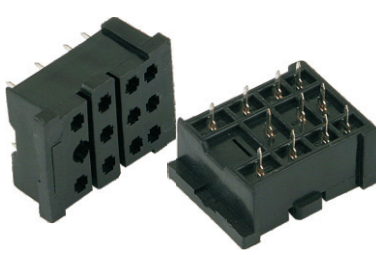
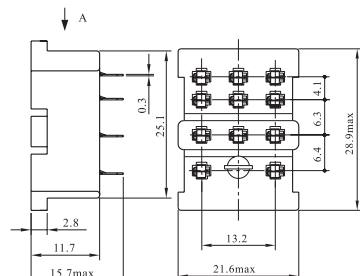
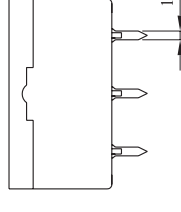

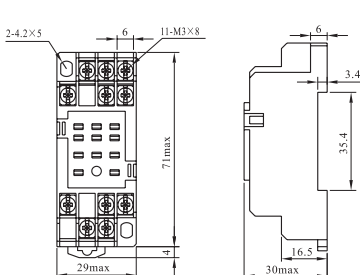
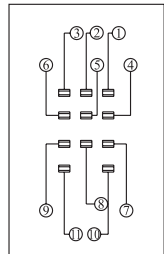
■ outline drawing

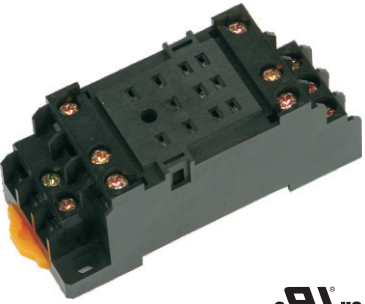
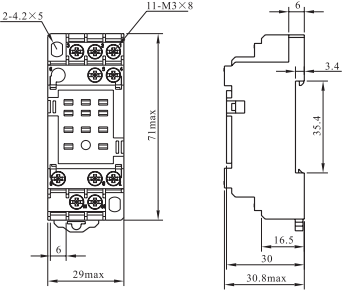
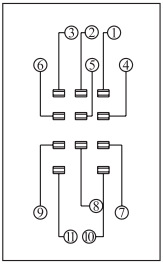
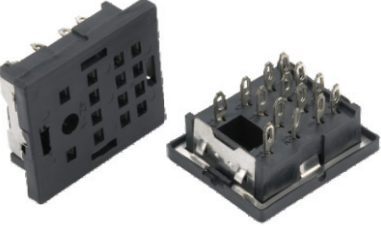
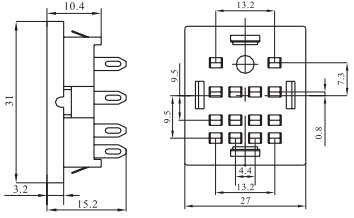

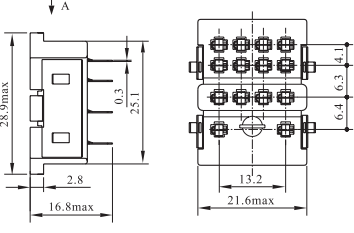
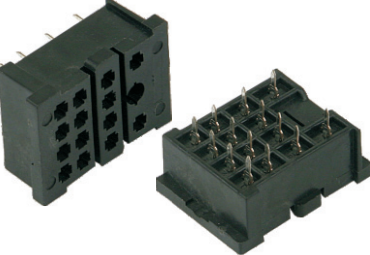
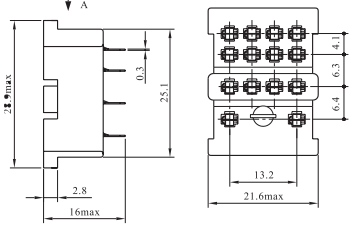
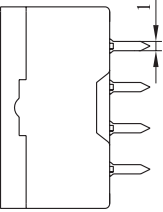

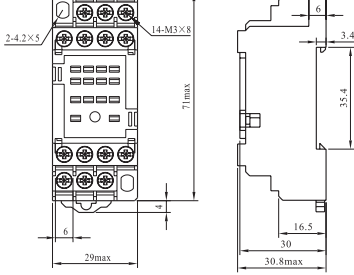
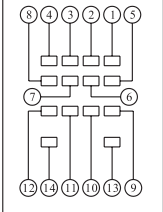


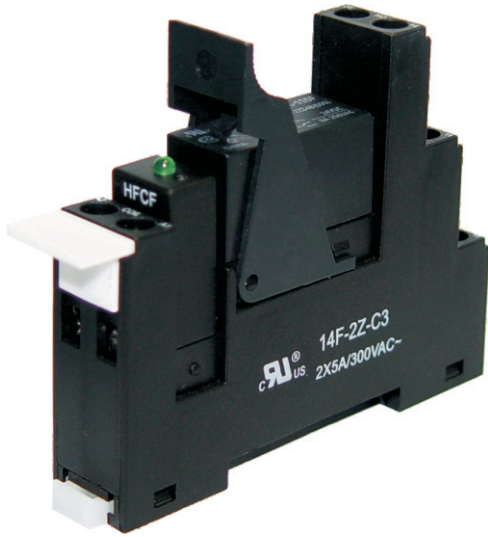
■ wiring diagram



	parameters	outline drawing	wiring diagram
<p>D18F-2Z-A1</p>	<p>Rated voltage : 250VAC Rated current : 7A Insulation voltage : ≥ 3KV Socket material : PBT (V1/V0) Contacts spring material : QSn6.5-0.1</p> <p>Hold down spring (on request) : Steel wire - various, see Page 25</p>		
<p>D18F-2Z-A2</p>	<p>Rated voltage : 250VAC Rated current : 5A Insulation voltage : ≥ 3KV Socket material : PA66+GF (V1/V0) Contacts spring material : QSn6.5-0.1</p> <p>Hold down spring (on request) : Steel wire - various, see Page 25</p>		

	parameters	outline drawing	wiring diagram
 <p>D18F-2Z-C1</p>	<p>Rated voltage : 250VAC Rated current : 7A Insulation voltage : $\geq 3KV$ Socket material : PA46-S250F6 (V1/V0) Contacts spring material : QSn6.5-0.1</p> <p>Hold down spring (on request) : Steel wire - various, see Page 25</p> <p>Module : No</p>		
 <p>D18F-2Z-C2</p>	<p>Rated voltage : 250VAC Rated current : 7A Insulation voltage : $\geq 3KV$ Socket material : PA66+GF (V1/V0) Contacts spring material : QSn6.5-0.1</p> <p>Hold down spring (on request) : Steel wire - various, see Page 25</p> <p>Module : No</p>		
 <p>D18F-3Z-A1</p>	<p>Rated voltage : 250VAC Rated current : 7A Insulation voltage : $\geq 3KV$ Socket material : PBT (V1/V0) Contacts spring material : QSn6.5-0.1</p> <p>Hold down spring (on request) : Steel wire - various, see Page 25</p>		
 <p>D18F-3Z-A2</p>	<p>Rated voltage : 250VAC Rated current : 7A Insulation voltage : $\geq 3KV$ Socket material : PBT (V1/V0) Contacts spring material : QSn6.5-0.1</p> <p>Hold down spring (on request) : Steel wire - various, see Page 25</p>		
 <p>D18F-3Z-C1</p>	<p>Rated voltage : 250VAC Rated current : 7A Insulation voltage : $\geq 3KV$ Socket material : PA66+GF (V1/V0) Contacts spring material : QSn6.5-0.1</p> <p>Hold down spring (on request) : Steel wire - various, see Page 25</p>		

	parameters	outline drawing	wiring diagram
 <p>D18F-3Z-C2</p>	<p>Rated voltage : 250VAC Rated current : 7A Insulation voltage : $\geq 3KV$ Socket material : PA66+GF (V1/V0) Contacts spring material : QSn6.5-0.1</p> <p>Hold down spring (on request) : Steel wire - various, see Page 25</p> <p>Module : No</p>		
 <p>D18F-4Z-A</p>	<p>Rated voltage : 250VAC Rated current : 7A Insulation voltage : $\geq 3KV$ Socket material : PA66+GF (V1/V0) Contacts spring material : QSn6.5-0.1</p> <p>Hold down spring (on request) : Steel wire - various, see Page 25</p>		
 <p>D18F-4Z-A1</p>	<p>Rated voltage : 250VAC Rated current : 7A Insulation voltage : $\geq 3KV$ Socket material : PA66+GF (V1/V0) Contacts spring material : QSn6.5-0.1</p> <p>Hold down spring (on request) : Steel wire - various, see Page 25</p>		
 <p>D18F-4Z-A2</p>	<p>Rated voltage : 250VAC Rated current : 7A Insulation voltage : $\geq 3KV$ Socket material : PA46-S250F6 (V1/V0) Contacts spring material : QSn6.5-0.1</p> <p>Hold down spring (on request) : Steel wire - various, see Page 25</p>		
 <p>D18F-4Z-C2-N</p>	<p>Rated voltage : 250VAC Rated current : 7A Insulation voltage : $\geq 3KV$ Socket material : PA66+GF (V1/V0) Contacts spring material : QSn6.5-0.1</p> <p>Hold down spring (on request) : Steel wire - various, see Page 25</p> <p>Module : No</p>		



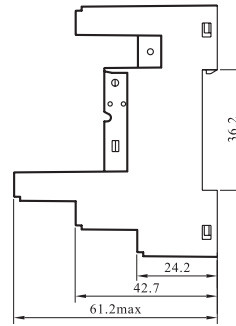
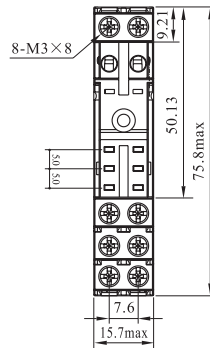
D14F-2Z-C3-N



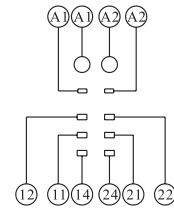
■ performance parameters

Rated voltage : 300VAC
 Rated current : 10A (2 x 5A)
 Insulation voltage : ≥ 3KV
 Socket material : PA46-S250F6 (V1/V0)
 Contacts spring material : QSn6.5-0.1
 Hold down spring (on request) : Steel wire - various, see Page 25
 Ejector clip : Various depending on relay type - see Page 25
 Module : see Pages 21-23

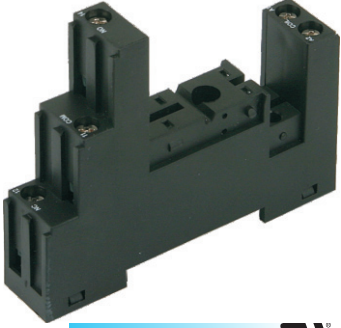

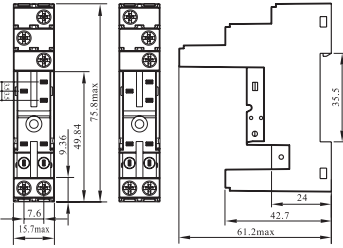
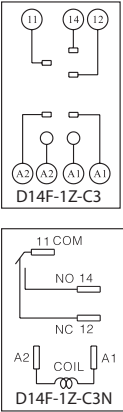


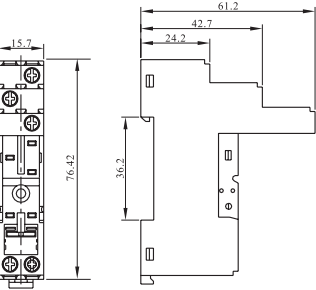
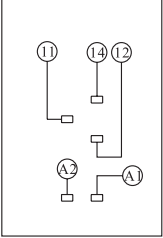
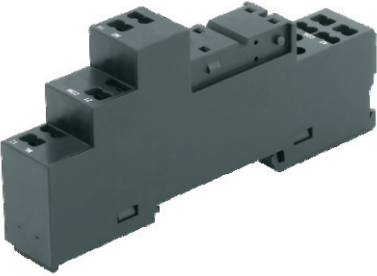

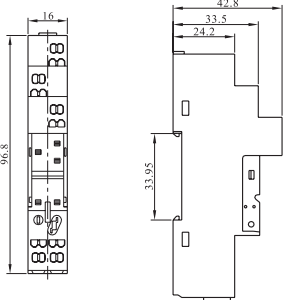
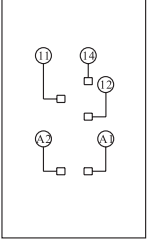
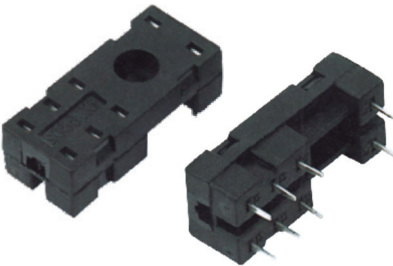

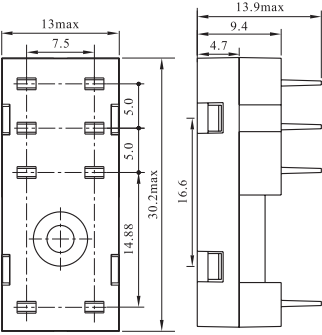

■ outline drawing



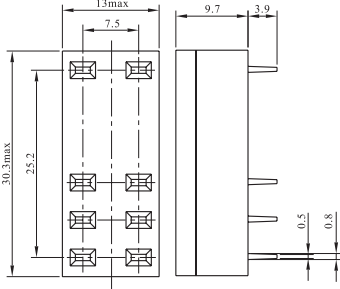
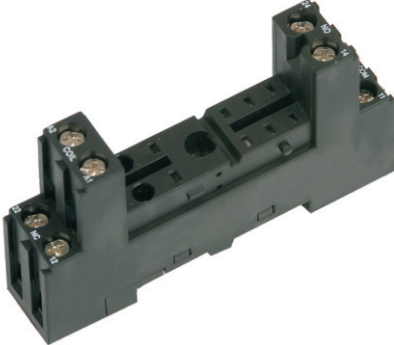

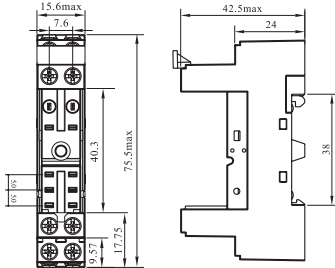
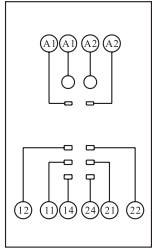


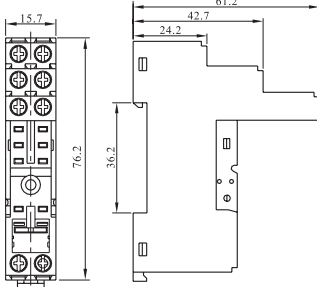
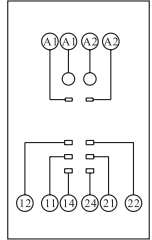


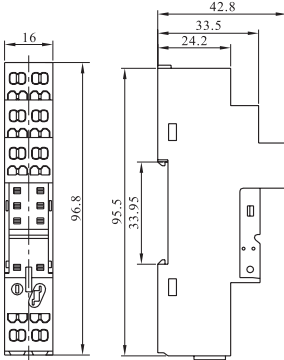
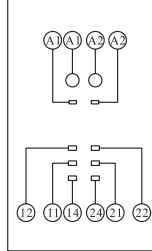


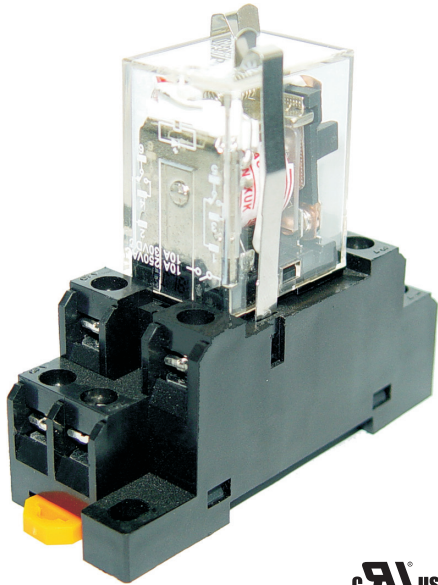
■ wiring diagram



	parameters	outline drawing	wiring diagram
<p>D14F-1Z-A1</p>	<p>Rated voltage : 300VAC Rated current : 10A Insulation voltage : ≥ 3KV Socket material : PA46-S250F6 (V1/V0) Contacts spring material : QSn6.5-0.1</p> <p>Hold down spring (on request) : Steel wire - various, see Page 25</p>		
<p>D14F-1Z-A2</p>	<p>Rated voltage : 300VAC Rated current : 10A Insulation voltage : ≥ 3KV Socket material : PA66+GF (V1/V0) Contacts spring material : QSn6.5-0.1</p> <p>Hold down spring (on request) : Steel wire - various, see Page 25</p>		
<p>D14F-1Z-C2</p>	<p>Rated voltage : 300VAC Rated current : 10A Insulation voltage : ≥ 3KV Socket material : PA66+GF (V1/V0) Contacts spring material : QSn6.5-0.1</p> <p>Hold down spring (on request) : Steel wire - various, see Page 25</p> <p>Ejector clip : Various, depending on relay type - see Page 25</p> <p>Module : see Pages 21-23</p>		

	parameters	outline drawing	wiring diagram
 <p>D14F-1Z-C3  D14F-1Z-C3-N</p>	<p>Rated voltage : 300VAC Rated current : 10A Insulation voltage : $\geq 3KV$ Socket material : PA46-S250F6 (V1/V0) Contacts spring material : QSn6.5-0.1</p> <p>Hold down spring (on request) : Steel wire - various, see Page 25</p> <p>Ejector Clip : various depending on relay type - see Page 25</p> <p>Module : see Pages 21-23</p>	<p>D14F-1Z-C3 D14F-1Z-C3N</p> 	
 <p>D14F-1Z-C4 </p>	<p>Rated voltage : 300VAC Rated current : 10A Insulation voltage : $\geq 3KV$ Socket material : PA66+GF (V1/V0) Contacts spring material : QSn6.5-0.1</p> <p>Hold down spring (on request) : Steel wire - various, see Page 25</p> <p>Ejector clip : various depending on relay type - see Page 25</p> <p>Module : see Page 24</p>		
 <p>D14F-1Z-C5 </p>	<p>Rated voltage : 300VAC Rated current : 10A Insulation voltage : $\geq 3KV$ Socket material : PA66+GF (V1/V0) Contacts spring material : QSn6.5-0.1</p> <p>Hold down spring (on request) : Steel wire - various, see Page 25</p> <p>Ejector clip : various depending upon relay type - see Page 25</p> <p>Module : see Pages 21-23</p>		
 <p>D14F-2Z-A1 </p>	<p>Rated voltage : 300VAC Rated current : 10A (2 x 5A) Insulation voltage : $\geq 3KV$ Socket material : PA46-S250F6 (V1/V0) Contacts spring material : QSn6.5-0.1</p> <p>Hold down spring (on request) : Steel wire - various, see Page 25</p>		

	parameters	outline drawing	wiring diagram
 <p>D14F-2Z-A2 </p>	<p>Rated voltage : 300VAC Rated current : 10A (2 x 5A) Insulation voltage : ≥ 3KV Socket material : PA66+GF (V1/V0) Contacts spring material : QSn6.5-0.1</p> <p>Hold down spring (on request) : Steel wire - various, see Page 25</p>		
 <p>D14F-2Z-C2 </p>	<p>Rated voltage : 300VAC Rated current : 10A (2 x 5A) Insulation voltage : ≥ 3KV Socket material : PA46-S250F6 (V1/V0) Contacts spring material : QSn6.5-0.1</p> <p>Hold down spring (on request) : Steel wire - various, see Page 25</p> <p>Ejector clip : various depending on relay type - see Page 25</p> <p>Module : see Pages 21-23</p>		
 <p>D14F-2Z-C4 </p>	<p>Rated voltage : 300VAC Rated current : 10A (2 x 5A) Insulation voltage : ≥ 3KV Socket material : PA66+GF (V1/V0) Contacts spring material : QSn6.5-0.1</p> <p>Hold down spring (on request) : Steel wire - various, see Page 25</p> <p>Ejector clip : various depending upon relay type - see Page 25</p> <p>Module : see Page 24</p>		
 <p>D14F-2Z-C5 </p>	<p>Rated voltage : 300VAC Rated current : 10A Insulation voltage : ≥ 3KV Socket material : PA66+GF (V1/V0) Contacts spring material : QSn6.5-0.1</p> <p>Hold down spring (on request) : Steel wire - various, see Page 25</p> <p>Ejector clip : various depending upon relay type - see Page 25</p> <p>Module : see Pages 21-23</p>		



D13F-2Z-C2

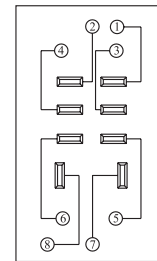
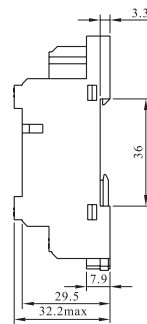
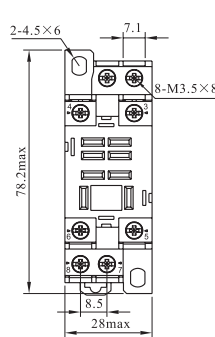


■ performance parameters



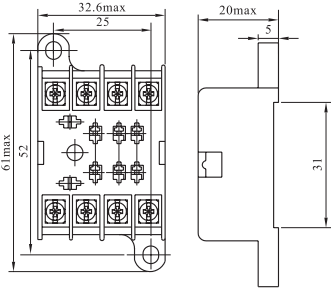
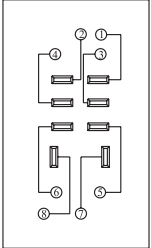


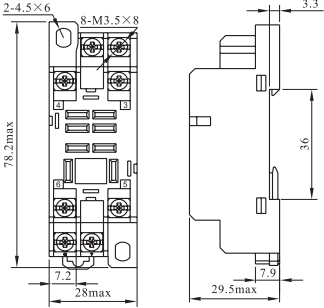
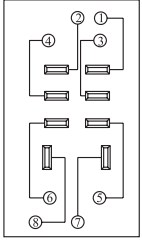


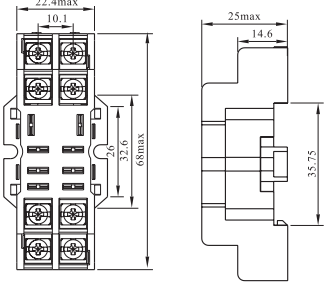
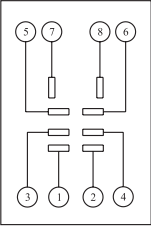


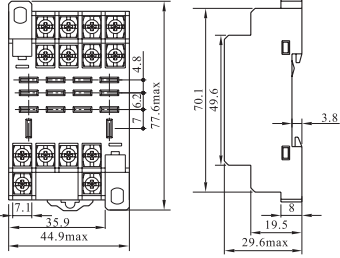
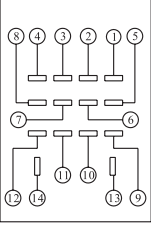
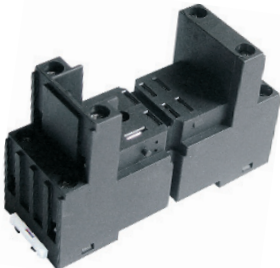

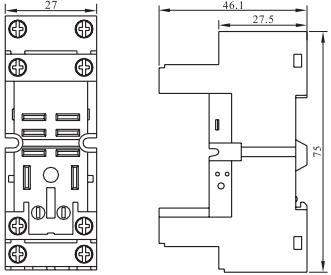
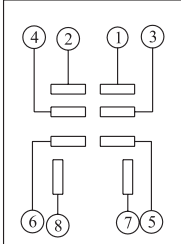
Rated voltage : 250VAC
 Rated current : 10A
 Insulation voltage : ≥ 3KV
 Socket material : PA66+GF (V1/V0)
 Contacts spring material : QSn6.5-0.1
 Hold down spring (on request) : JH-006RC see Page 25

■ outline drawing

■ wiring diagram



	parameters	outline drawing	
<p>D13F-2Z-A</p>	<p>Rated voltage : 250VAC Rated current : 10A Insulation voltage : ≥ 3KV Socket material : PBT (V1/V0) Contacts spring material : QSn6.5-0.1</p> <p>Hold down spring (on request) : Steel wire - various, see Page 25</p>		
<p>D13F-2Z-A1</p>	<p>Rated voltage : 250VAC Rated current : 10A Insulation voltage : ≥ 3KV Socket material : PBT (V1/V0) Contacts spring material : QSn6.5-0.1</p> <p>Hold down spring (on request) : Steel wire - various, see Page 25</p>		
<p>D13F-2Z-A2</p>	<p>Rated voltage : 250VAC Rated current : 10A Insulation voltage : ≥ 3KV Socket material : PA46-S250F6 (V1/V0) Contacts spring material : QSn6.5-0.1</p> <p>Hold down spring (on request) : Steel wire - various, see Page 25</p>		

	parameters	outline drawing	wiring diagram
 <p>D13F-2Z-B</p> 	<p>Rated voltage : 250VAC Rated current : 10A Insulation voltage : $\geq 3KV$ Socket material : PBT (V1/V0) Contacts spring material : QSn6.5-0.1</p> <p>Hold down spring (on request) : Steel wire - various, see Page 25</p> <p>Module : No</p>		
 <p>D13F-2Z-C1</p> 	<p>Rated voltage : 250VAC Rated current : 10A Insulation voltage : $\geq 3KV$ Socket material : PA46-S250F6 (V1/V0) Contacts spring material : QSn6.5-0.1</p> <p>Hold down spring (on request) : Steel wire - various, see Page 25</p> <p>Module : No</p>		
 <p>D13F-2Z-C3</p> 	<p>Rated voltage : 250VAC Rated current : 7A Insulation voltage : $\geq 3KV$ Socket material : PA66+GF (V1/V0) Contacts spring material : QSn6.5-0.1</p> <p>Hold down spring (on request) : Steel wire - various, see Page 25</p>		
 <p>D13F-4Z-C1</p> 	<p>Rated voltage : 250VAC Rated current : 10A Insulation voltage : $\geq 3KV$ Socket material : PA66+GF (V1/V0) Contacts spring material : QSn6.5-0.1</p> <p>Hold down spring (on request) : Steel wire - various, see Page 25</p>		
 <p>D13F-2Z-C4</p> 	<p>Rated voltage : 250VAC Rated current : 15A Insulation voltage : $\geq 3KV$ Socket material : PA66+GF (V1/V0) Contacts spring material : QSn6.5-0.1</p> <p>Hold down spring (on request) : Steel wire - various, see Page 25</p> <p>Ejector clip : Various depending on relay type - see Page 25</p> <p>Module : see Pages 21-23</p>		

■ performance parameters

Rated voltage : 300VAC
 Rated current : 10A
 Insulation voltage : ≥ 3KV
 Socket material : PA66+GF (V1/V0)
 Contacts spring material : QSn6.5-0.1
 Hold down spring (on request) : Steel wire - various, see Page 25

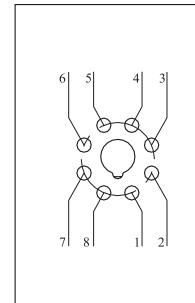
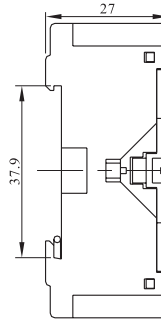
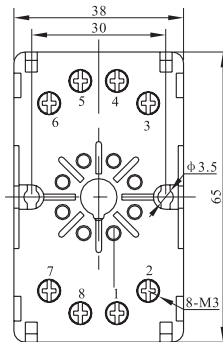




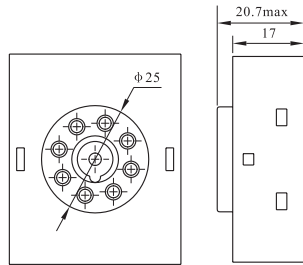
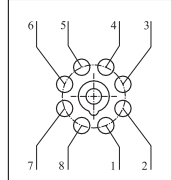


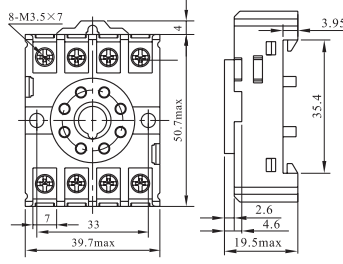
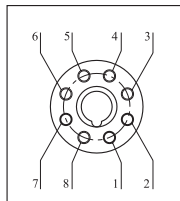


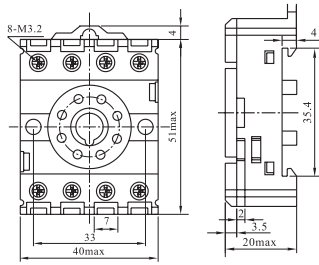
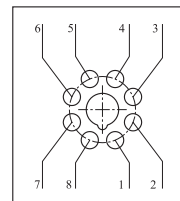
D10F-2Z-C5


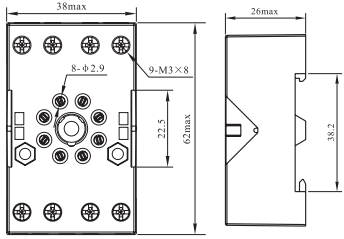
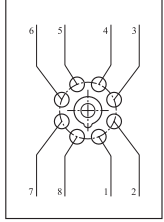
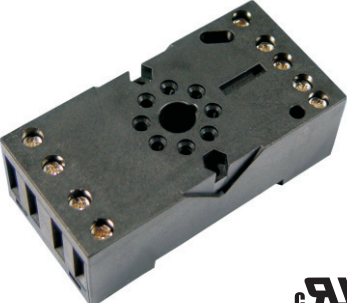
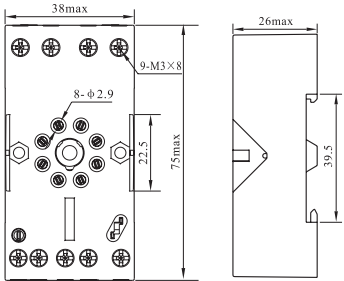
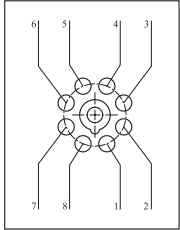

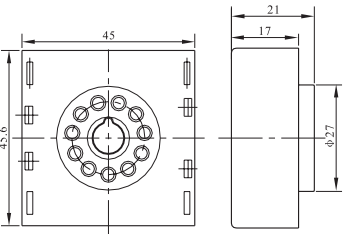
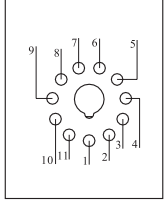
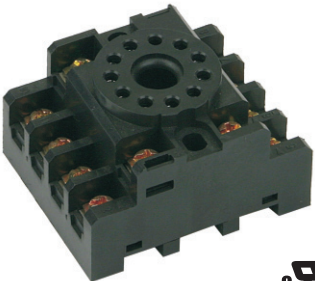
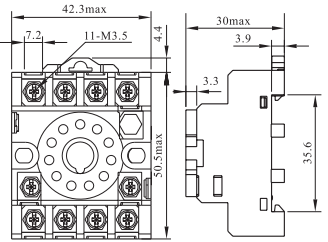
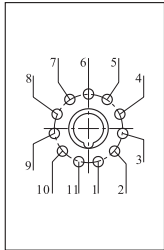
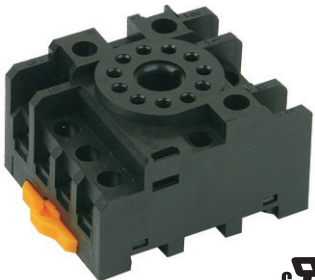
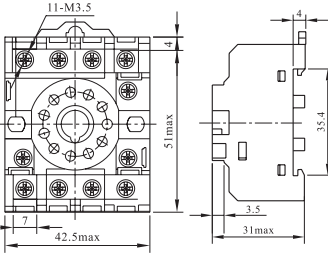
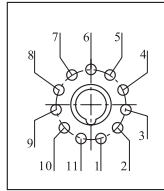




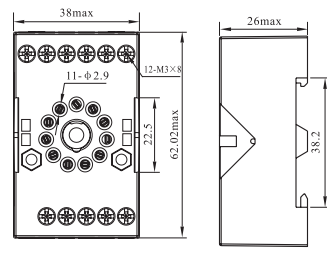
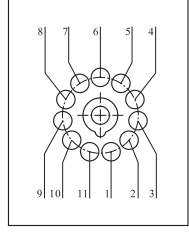


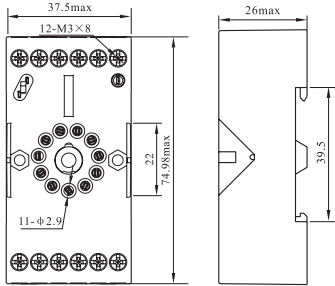
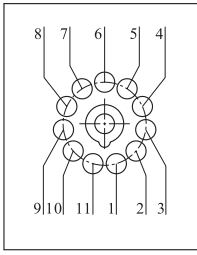


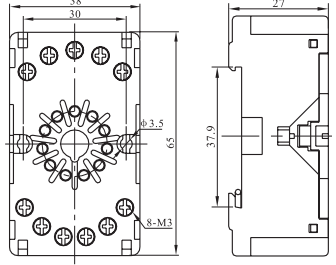
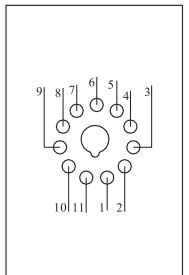
■ outline drawing


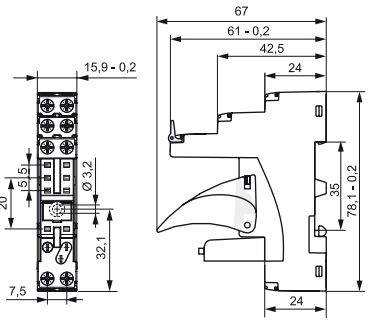
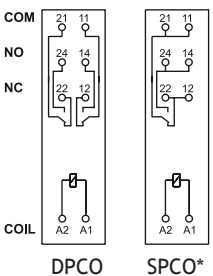
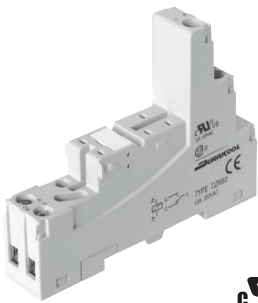
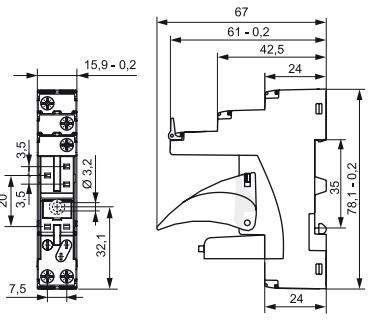
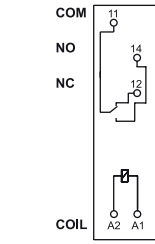

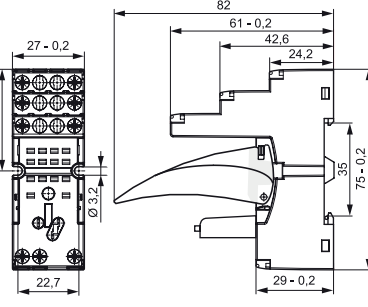
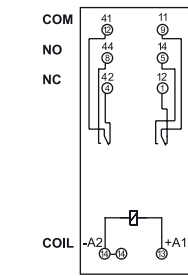

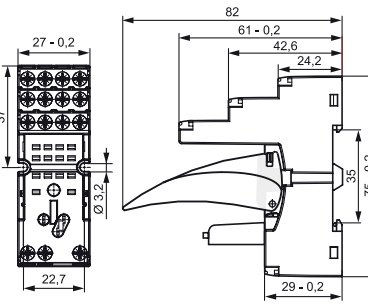
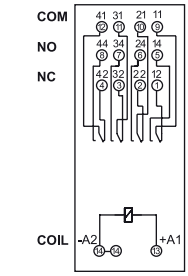
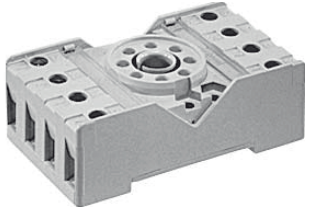
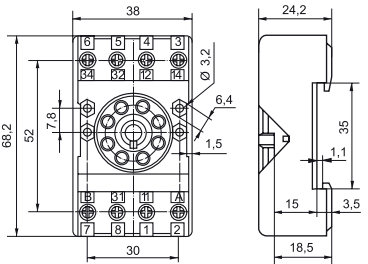
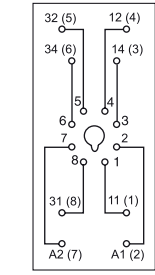
■ wiring diagram

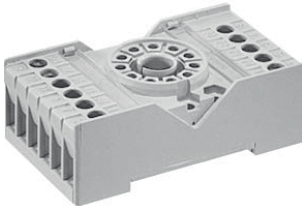

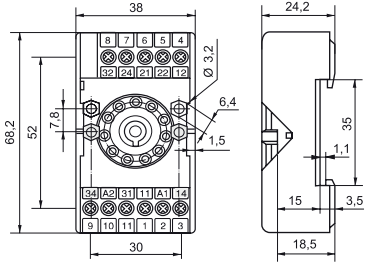
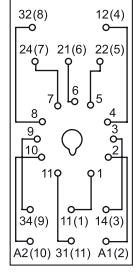


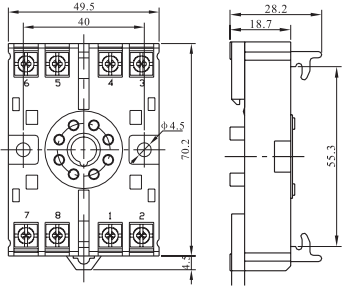
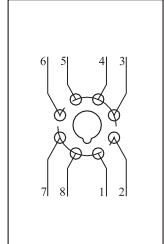


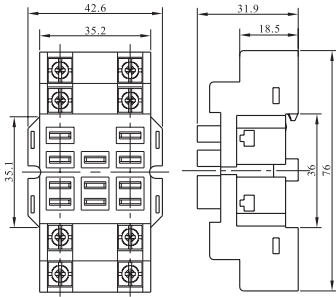
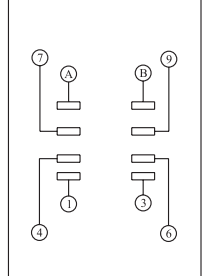


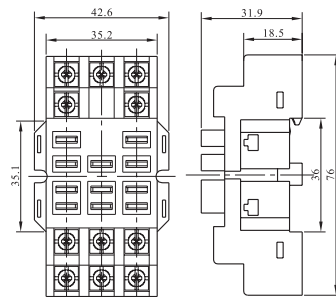
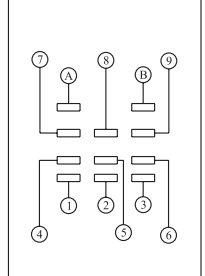
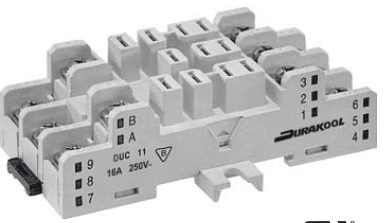

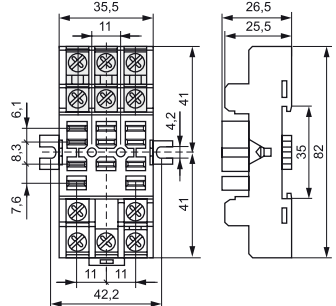
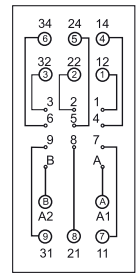


	parameters	outline drawing	
 <p>D10F-2Z-A</p> 	<p>Rated voltage : 300VAC Rated current : 10A Insulation voltage : ≥ 3KV Socket material : PA66+GF (V1/V0) Contacts spring material : QSn6.5-0.1</p>		
 <p>D10F-2Z-C1</p> 	<p>Rated voltage : 300VAC Rated current : 10A Insulation voltage : ≥ 3KV Socket material : PA66+GF (V1/V0) Contacts spring material : QSn6.5-0.1</p> <p>Hold down spring (on request) : Steel wire - various, see Page 25</p>		
 <p>D10F-2Z-C2</p> 	<p>Rated voltage : 300VAC Rated current : 10A Insulation voltage : ≥ 3KV Socket material : PA66+GF (V1/V0) Contacts spring material : QSn6.5-0.1</p> <p>Hold down spring (on request) : Steel wire - various, see Page 25</p>		

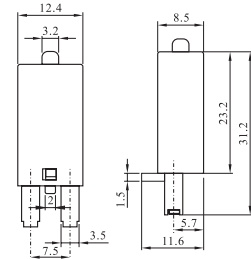
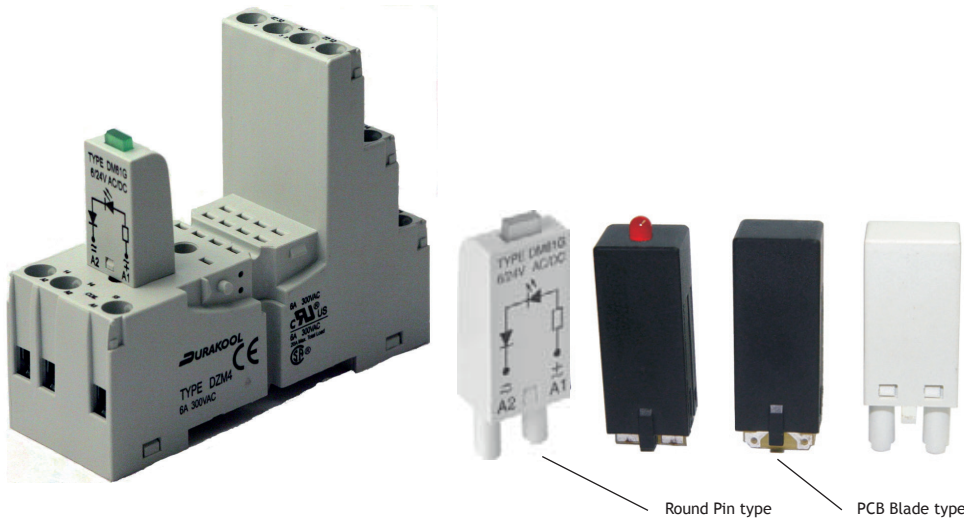
	parameters	outline drawing	wiring diagram
 <p>D10F-2Z-C3</p>	<p>Rated voltage : 250VAC Rated current : 10A Insulation voltage : $\geq 3KV$ Socket material : PA46-S250F6 (V1/V0) Contacts spring material : QSn6.5-0.1</p> <p>Hold down spring (on request) : Steel wire - various, see Page 25</p> <p>Module : No</p>		
 <p>D10F-2Z-C4</p>	<p>Rated voltage : 250VAC Rated current : 10A Insulation voltage : $\geq 3KV$ Socket material : PA66+GF (V1/V0) Contacts spring material : QSn6.5-0.1</p> <p>Hold down spring (on request) : Steel wire - various, see Page 25</p> <p>Module : No</p>		
 <p>D10F-3Z-A</p>	<p>Rated voltage : 250VAC Rated current : 7A Insulation voltage : $\geq 3KV$ Socket material : PA66+GF (V1/V0) Contacts spring material : QSn6.5-0.1</p>		
 <p>D10F-3Z-C1</p>	<p>Rated voltage : 250VAC Rated current : 10A Insulation voltage : $\geq 3KV$ Socket material : PA66+GF (V1/V0) Contacts spring material : QSn6.5-0.1</p> <p>Hold down spring (on request) : Steel wire - various, see Page 25</p>		
 <p>D10F-3Z-C2</p>	<p>Rated voltage : 250VAC Rated current : 10A Insulation voltage : $\geq 3KV$ Socket material : PA66+GF (V1/V0) Contacts spring material : QSn6.5-0.1</p> <p>Hold down spring (on request) : Steel wire - various, see Page 25</p> <p>Module : No</p>		

	parameters	outline drawing	wiring diagram
 <p>D10F-3Z-C3</p> 	<p>Rated voltage : 300VAC Rated current : 10A Insulation voltage : $\geq 3KV$ Socket material : PA46-S250F6 (V1/V0) Contacts spring material : QSn6.5-0.1</p> <p>Hold down spring (on request) : Steel wire - various, see Page 25</p> <p>Module : No</p>		
 <p>D10F-3Z-C4</p> 	<p>Rated voltage : 300VAC Rated current : 10A Insulation voltage : $\geq 3KV$ Socket material : PA66+GF (V1/V0) Contacts spring material : QSn6.5-0.1</p> <p>Hold down spring (on request) : Steel wire - various, see Page 25</p> <p>Module : No</p>		
 <p>D10F-3Z-C5</p> 	<p>Rated voltage : 300VAC Rated current : 10A Insulation voltage : $\geq 3KV$ Socket material : PA66+GF (V1/V0) Contacts spring material : QSn6.5-0.1</p> <p>Hold down spring (on request) : Steel wire - various, see Page 25</p> <p>Module : No</p>		

	parameters	outline drawing	wiring diagram
 <p>DZM80</p>	<p>Rated voltage : 300VAC Rated current : 2 x 12A - see note Insulation voltage : $\geq 3KV$ Socket material : PA66+GF (V1/V0) Contacts spring material : QSn6.5-0.1</p> <p>Ejector clip : DZT80-0040 Page 25</p> <p>Module : DM Series - see Pages 21-23</p> <p>Notes: (1) Loads up to 12A do not require bridging of terminals. Loads above 12A require bridging pairs of terminals - 11 with 21, 12 with 22 & 14 with 24</p>		 <p>COM 21 11 NO 22 12 NC 23 13 COIL A2 A1</p> <p>DPCO SPCO*</p>
 <p>DZM92</p>	<p>Rated voltage : 300VAC Rated current : 12A Insulation voltage : $\geq 3KV$ Socket material : PA66+GF (V1/V0) Contacts spring material : QSn6.5-0.1</p> <p>Ejector clip : DZT80-0040 Page 25</p> <p>Module : DM Series - see Pages 21-23</p>		 <p>COM 11 NO 14 NC 13 COIL A2 A1</p>
 <p>DZM2</p>	<p>Rated voltage : 300VAC Rated current : 12A Insulation voltage : $\geq 3KV$ Socket material : PA66+GF (V1/V0) Contacts spring material : QSn6.5-0.1</p> <p>Ejector clip : DZT4-0040 Page 25</p> <p>Module : DM Series - see Pages 21-23</p>		 <p>COM 41 11 NO 44 14 NC 42 12 COIL -A2 +A1</p>
 <p>DZM4</p>	<p>Rated voltage : 300VAC Rated current : 6A Insulation voltage : $\geq 3KV$ Socket material : PA46-S250F6 (V1/V0) Contacts spring material : QSn6.5-0.1</p> <p>Ejector clip : DZT4-0040 Page 25</p> <p>Module : DM Series - see Pages 21-23</p>		 <p>COM 41 31 11 NO 44 34 21 14 NC 42 32 12 13 COIL -A2 +A1</p>
 <p>DZ8</p>	<p>Rated voltage : 250VAC Rated current : 10A Insulation voltage : $\geq 3KV$ Socket material : PA66+GF (V1/V0) Contacts spring material : QSn6.5-0.1</p> <p>Hold down spring (on request) : Steel wire - DZ11-0031 Page 25</p> <p>Module : No</p>		 <p>32 (5) 12 (4) 34 (6) 14 (3) 6 4 3 2 7 8 1 31 (8) 11 (1) A2 (7) A1 (2)</p>

	parameters	outline drawing	wiring diagram
 <p>DZ11</p> 	<p>Rated voltage : 250VAC Rated current : 7A Insulation voltage : $\geq 3KV$ Socket material : PA46-S250F6 (V1/V0) Contacts spring material : QSn6.5-0.1</p> <p>Hold down spring (on request) : Steel wire - DZ11-0031 Page 25</p> <p>Module : No</p>		
 <p>DP2CF08</p> 	<p>Rated voltage : 300VAC Rated current : 10A Insulation voltage : $\geq 3KV$ Socket material : PA66+GF (V1/V0) Contacts spring material : QSn6.5-0.1</p> <p>Module : No</p> <p>Also available: DP2CF11 (11 pin)</p>		
 <p>D166F-2Z-C1</p> 	<p>Rated voltage : 300VAC Rated current : 20A Insulation voltage : $\geq 3KV$ Socket material : PA66+GF (V1/V0) Contacts spring material : QSn6.5-0.1</p> <p>Hold down spring (on request) : JH-004RC, see Page 25</p> <p>Module : No</p>		
 <p>D166F-3Z-C1</p> 	<p>Rated voltage : 300VAC Rated current : 20A Insulation voltage : $\geq 3KV$ Socket material : PA66+GF (V1/V0) Contacts spring material : QSn6.5-0.1</p> <p>Hold down spring (on request) : JH-004RC, see Page 25</p> <p>Module : No</p>		
 <p>DUC11</p> 	<p>Rated voltage : 250VAC Rated current : 16A Insulation voltage : $\geq 3KV$ Socket material : PA66+GF (V1/V0) Contacts spring material : QSn6.5-0.1</p> <p>Hold down spring (on request) : Steel wire - DMBA Page 25</p> <p>Module : No</p>		

Modules for sockets



Notes:
 Grey body types have a rectangular LED and a curved shoulder. Black body types have a round LED and square shoulders. Flat pcb blade types are only available with a black body.

Round Pin Type

Part No	Body Colour	Socket Types	Circuit	Description
DM21P	Grey	DZM80, DZM92, DZM2, DZM4		Diode A1-
DM21P-BK	Black	D14F Series -C2, C3, C5, C9; D18F Series -C4, C5, C8, C9		
DM21N	Grey	DZM80, DZM92, DZM2, DZM4		Diode A1+
DM21N-BK	Black	D14F Series -C2, C3, C5, C9; D18F Series -C4, C5, C8, C9		
DM31R	Grey	DZM80, DZM92, DZM2, DZM4		Red LED with diode, 6 - 24VDC, A1-
DM31R-BK	Black	D14F Series -C2, C3, C5, C9; D18F Series -C4, C5, C8, C9		
DM31G	Grey	DZM80, DZM92, DZM2, DZM4		Green LED with diode, 6 - 24VDC, A1-
DM31G-BK	Black	D14F Series -C2, C3, C5, C9; D18F Series -C4, C5, C8, C9		
DM32R	Grey	DZM80, DZM92, DZM2, DZM4		Red LED with diode, 24 - 60VDC, A1-
DM32R-BK	Black	D14F Series -C2, C3, C5, C9; D18F Series -C4, C5, C8, C9		
DM32G	Grey	DZM80, DZM92, DZM2, DZM4		Green LED with diode, 24 - 60VDC, A1-
DM32G-BK	Black	D14F Series -C2, C3, C5, C9; D18F Series -C4, C5, C8, C9		
DM33R	Grey	DZM80, DZM92, DZM2, DZM4		Red LED with diode, 110 - 230VDC, A1-
DM33R-BK	Black	D14F Series -C2, C3, C5, C9; D18F Series -C4, C5, C8, C9		
DM33G	Grey	DZM80, DZM92, DZM2, DZM4		Green LED with diode, 110 - 230VDC, A1-
DM33G-BK	Black	D14F Series -C2, C3, C5, C9; D18F Series -C4, C5, C8, C9		

Modules for sockets

Round Pin Type

Part No	Body Colour	Socket Types	Circuit	Description
DM41R	Grey	DZM80, DZM92, DZM2, DZM4		Red LED with diode, 6 - 24VDC, A1+
DM41R-BK	Black	D14F Series -C2, C3, C5, C9; D18F Series -C4, C5, C8, C9		
DM41G	Grey	DZM80, DZM92, DZM2, DZM4		Green LED with diode, 6 - 24VDC, A1+
DM41G-BK	Black	D14F Series -C2, C3, C5, C9; D18F Series -C4, C5, C8, C9		
DM42R	Grey	DZM80, DZM92, DZM2, DZM4		Red LED with diode, 24 - 60VDC, A1+
DM42R-BK	Black	D14F Series -C2, C3, C5, C9; D18F Series -C4, C5, C8, C9		
DM42G	Grey	DZM80, DZM92, DZM2, DZM4		Green LED with diode, 24 - 60VDC, A1+
DM42G-BK	Black	D14F Series -C2, C3, C5, C9; D18F Series -C4, C5, C8, C9		
DM43R	Grey	DZM80, DZM92, DZM2, DZM4		Red LED with diode, 110 - 230VDC, A1+
DM43R-BK	Black	D14F Series -C2, C3, C5, C9; D18F Series -C4, C5, C8, C9		
DM43G	Grey	DZM80, DZM92, DZM2, DZM4		Green LED with diode, 110 - 230VDC, A1+
DM43G-BK	Black	D14F Series -C2, C3, C5, C9; D18F Series -C4, C5, C8, C9		
DM51	Grey	DZM80, DZM92, DZM2, DZM4		RC Network, 6 to 24V
DM51-BK	Black	D14F Series -C2, C3, C5, C9; D18F Series -C4, C5, C8, C9		
DM52	Grey	DZM80, DZM92, DZM2, DZM4		RC Network, 24V to 60V
DM52-BK	Black	D14F Series -C2, C3, C5, C9; D18F Series -C4, C5, C8, C9		
DM53	Grey	DZM80, DZM92, DZM2, DZM4		RC Network, 110 to 230V
DM53-BK	Black	D14F Series -C2, C3, C5, C9; D18F Series -C4, C5, C8, C9		
DM61R	Grey	DZM80, DZM92, DZM2, DZM4		Red LED, 6 - 24VAC/DC
DM61R-BK	Black	D14F Series -C2, C3, C5, C9; D18F Series -C4, C5, C8, C9		
DM61G	Grey	DZM80, DZM92, DZM2, DZM4		Green LED, 6 - 24VAC/DC
DM61G-BK	Black	D14F Series -C2, C3, C5, C9; D18F Series -C4, C5, C8, C9		
DM62R	Grey	DZM80, DZM92, DZM2, DZM4		Red LED, 24 - 60VAC/DC
DM62R-BK	Black	D14F Series -C2, C3, C5, C9; D18F Series -C4, C5, C8, C9		
DM62G	Grey	DZM80, DZM92, DZM2, DZM4		Green LED, 24 - 60VAC/DC
DM62G-BK	Black	D14F Series -C2, C3, C5, C9; D18F Series -C4, C5, C8, C9		

Modules for sockets

Round Pin Type

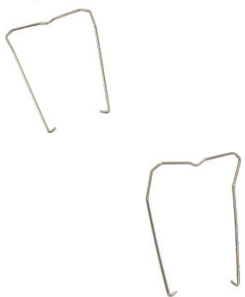







Part No	Body Colour	Socket Types	Circuit	Description
DM63R	Grey	DZM80, DZM92, DZM2, DZM4		Red LED, 110 - 230VAC/DC
DM63R-BK	Black	D14F Series -C2, C3, C5, C9; D18F Series -C4, C5, C8, C9		
DM63G	Grey	DZM80, DZM92, DZM2, DZM4		Green LED, 110 - 230VAC/DC
DM63G-BK	Black	D14F Series -C2, C3, C5, C9; D18F Series -C4, C5, C8, C9		
DM71	Grey	DZM80, DZM92, DZM2, DZM4		Varistor 24VAC
DM71-BK	Black	D14F Series -C2, C3, C5, C9; D18F Series -C4, C5, C8, C9		
DM72	Grey	DZM80, DZM92, DZM2, DZM4		Varistor 115VAC
DM72-BK	Black	D14F Series -C2, C3, C5, C9; D18F Series -C4, C5, C8, C9		
DM73	Grey	DZM80, DZM92, DZM2, DZM4		Varistor 230VAC
DM73-BK	Black	D14F Series -C2, C3, C5, C9; D18F Series -C4, C5, C8, C9		
DM91R	Grey	DZM80, DZM92, DZM2, DZM4		Red LED with varistor, 6 - 24VAC/DC
DM91R-BK	Black	D14F Series -C2, C3, C5, C9; D18F Series -C4, C5, C8, C9		
DM91G	Grey	DZM80, DZM92, DZM2, DZM4		Green LED with varistor, 6 - 24VAC/DC
DM91G-BK	Black	D14F Series -C2, C3, C5, C9; D18F Series -C4, C5, C8, C9		
DM92R	Grey	DZM80, DZM92, DZM2, DZM4		Red LED with varistor, 24 - 60VAC/DC
DM92R-BK	Black	D14F Series -C2, C3, C5, C9; D18F Series -C4, C5, C8, C9		
DM92G	Grey	DZM80, DZM92, DZM2, DZM4		Green LED with varistor, 24 - 60VAC/DC
DM92G-BK	Black	D14F Series -C2, C3, C5, C9; D18F Series -C4, C5, C8, C9		
DM93R	Grey	DZM80, DZM92, DZM2, DZM4		Red LED with varistor, 110 - 230VAC/DC
DM93R-BK	Black	D14F Series -C2, C3, C5, C9; D18F Series -C4, C5, C8, C9		
DM93	Grey	DZM80, DZM92, DZM2, DZM4		Green LED with varistor, 110 - 230VAC/DC
DM93G-BK	Black	D14F Series -C2, C3, C5, C9; D18F Series -C4, C5, C8, C9		
DM103	Grey	DZM80, DZM92, DZM2, DZM4		Resistor 110 - 230VAC
DM103-BK	Black	D14F Series -C2, C3, C5, C9; D18F Series -C4, C5, C8, C9		

Modules for sockets

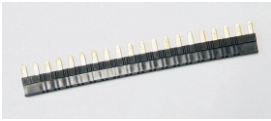
PCB Blade Type

Part No	Body Colour	Socket Types	Circuit	Description
DM21P-A	Black	D18F Series -C3, D14F Series -C4		Diode A1-
DM21N-A	Black	D18F Series -C3, D14F Series -C4		Diode A1+
DM31R-A	Black	D18F Series -C3, D14F Series -C4		Red LED with diode, 6 - 24VDC, A1-
DM31G-A	Black	D18F Series -C3, D14F Series -C4		Green LED with diode, 6 - 24VDC, A1-
DM32R-A	Black	D18F Series -C3, D14F Series -C4		Red LED with diode, 24 - 60VDC, A1-
DM32G-A	Black	D18F Series -C3, D14F Series -C4		Green LED with diode, 24 - 60VDC, A1-
DM33R-A	Black	D18F Series -C3, D14F Series -C4		Red LED with diode, 110 - 230VDC, A1-
DM33G-A	Black	D18F Series -C3, D14F Series -C4		Green LED with diode, 110 - 230VDC, A1-
DM41R-A	Black	D18F Series -C3, D14F Series -C4		Red LED with diode, 6 - 24VDC, A1+
DM41G-A	Black	D18F Series -C3, D14F Series -C4		Green LED with diode, 6 - 24VDC, A1+
DM42R-A	Black	D18F Series -C3, D14F Series -C4		Red LED with diode, 24 - 60VDC, A1+
DM42G-A	Black	D18F Series -C3, D14F Series -C4		Green LED with diode, 24 - 60VDC, A1+
DM43R-A	Black	D18F Series -C3, D14F Series -C4		Red LED with diode, 110 - 230VDC, A1+
DM43G-A	Black	D18F Series -C3, D14F Series -C4		Green LED with diode, 110 - 230VDC, A1+
DM51-A	Black	D18F Series -C3, D14F Series -C4		RC Network, 6 to 24V
DM52-A	Black	D18F Series -C3, D14F Series -C4		RC Network, 24V to 60V
DM53-A	Black	D18F Series -C3, D14F Series -C4		RC Network, 110 to 230V
DM61R-A	Black	D18F Series -C3, D14F Series -C4		Red LED, 6 - 24VAC/DC
DM61G-A	Black	D18F Series -C3, D14F Series -C4		Green LED, 6 - 24VAC/DC
DM62R-A	Black	D18F Series -C3, D14F Series -C4		Red LED, 24 - 60VAC/DC
DM62G-A	Black	D18F Series -C3, D14F Series -C4		Green LED, 24 - 60VAC/DC
DM63R-A	Black	D18F Series -C3, D14F Series -C4		Red LED, 110 - 230VAC/DC
DM63G-A	Black	D18F Series -C3, D14F Series -C4		Green LED, 110 - 230VAC/DC
DM71-A	Black	D18F Series -C3, D14F Series -C4		Varistor 24VAC
DM72-A	Black	D18F Series -C3, D14F Series -C4		Varistor 115VAC
DM73-A	Black	D18F Series -C3, D14F Series -C4		Varistor 230VAC
DM91R-A	Black	D18F Series -C3, D14F Series -C4		Red LED with varistor, 6 - 24VAC/DC
DM91G-A	Black	D18F Series -C3, D14F Series -C4		Green LED with varistor, 6 - 24VAC/DC
DM92R-A	Black	D18F Series -C3, D14F Series -C4		Red LED with varistor, 24 - 60VAC/DC
DM92G-A	Black	D18F Series -C3, D14F Series -C4		Green LED with varistor, 24 - 60VAC/DC
DM93R-A	Black	D18F Series -C3, D14F Series -C4		Red LED with varistor, 110 - 230VAC/DC
DM93G-A	Black	D18F Series -C3, D14F Series -C4		Green LED with varistor, 110 - 230VAC/DC
DM103-A	Black	D18F Series -C3, D14F Series -C4		Resistor 110 - 230VAC

Retaining springs and Ejector clips for sockets

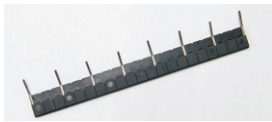
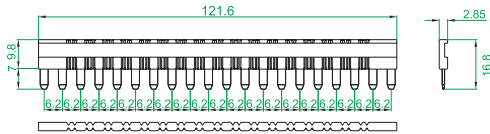
Metal Clips				
Part Number	Matching Socket/Sockets	Clip style	Fits relay height	Durakool Relay Type
JH-15MS-A	D14F-*Z-A1/A2		15mm	DM84, DM85, DM87N
JH-15MS-B	D14F-*Z-A1/A2		15mm	DM84, DM85, DM87N
JH-20MS	D14F-*Z-A1/A2		20mm	
JH-25MS-A	D14F-*Z-A1/A2		25mm (straight spring)*	DM41, DM42
JH-25MS-C	D14F-*Z-C*		25mm (bent spring)*	DM41, DM42
JH-29MS	D18F-*Z-C3/C4/C5/C9;D13F-2Z-C4		29mm	
JH-30MS	D18F-*Z-C3/C4/C5/C7/C8;D13F-2Z-C4		30mm	
JH-36MS-A	D18F-*Z-C4/C5/C7/C8/C9;D13F-2Z-C4		36mm (straight spring)*	D2, D3, D4
JH-36MS-B	D18F-*Z-C4/C5/C7/C8/C9;D13F-2Z-C4		36mm (bent spring)*	D2, D3, D4
JH-001RC	D18F-*Z-A1/A2/A/B;D13F-2Z-A/B			
JH-004RC	D10F-*Z-C1/C2;D166F-*Z-C1			D15, DUC
JH-006RC	18F-*Z-C1/C2;13F-*Z-C1/C2;			D2, D3, D4
JH-505RC	D13F-2Z-C3;D18F-*Z-C6			DY2
JH-56MS	D10F-*Z-C3/C4/C5;		56mm	D15
JH-62MS	D10F-*Z-C3/C4/C5;		62mm (bent spring)*	
JH-63MS	D10F-*Z-C3/C4/C5;		63mm (straight spring)*	
DZ11-0031	DZ8: DZ11		55mm	D15
DMBA	DUC11		46mm	DUC
* Notes: Bent Springs are easier to apply and are the preferred clips.				
Plastic Clips				
Part Number	Matching Socket/Sockets	Clip style	Fits relay height	Durakool Relay Type
JH-15PS	D14F-*Z-C2/C3/C4/C5		15mm	DM84, DM85, DM87N
JH-20PS	D14F-*Z-C2/C3/C4/C5		20mm	
JH-20PS-M	D14F-*Z-A1/A2		20mm	
JH-25PS-A	D14F-*Z-C2/C3/C4/C5		25mm	DM41, DM42
JH-25PS-B	D14F-*Z-C5		25mm	DM41, DM42
JH-29PS	D18F-*Z-C4/C5/C8/C9;D13F-2Z-C4		29mm	
JH-36PS-A	D18F-*Z-C4/C5/C8/C9;D13F-2Z-C4		36mm	D2, D3, D4
JH-36PS-B	D18F-*Z-C9		36mm	D2, D3, D4
DZT80-0040	DZM80; DZM92		15mm	DM84, DM85, DM87N
DZT4-0040	DZM2; DZM4		36mm	D2, D3, D4

Accessories for DIN Rail Sockets



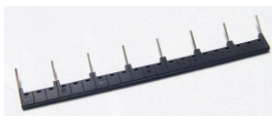
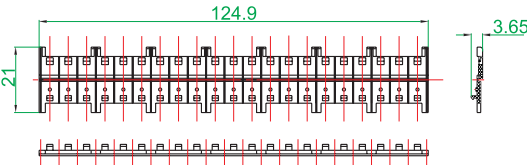
DZG20-2

20 way Jumper Link for 1 Pole D41F Sockets	DZG20-1 (red), DZG20-2 (black), DZG20-3 (blue)
* Can be ordered in black, red or blue	
Technical data	
Rated values	36A / 250V
Ambient temperature	-40 ...+70 °C



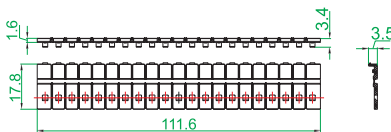
DZG08-2

8 way Jumper Link for 2 Pole Sockets	DZG08-1 (red), DZG08-2 (black), DZG08-3 (blue)
* Can be ordered in black, red or blue	
Technical data	
Rated values	36A / 250V
Ambient temperature	-40 ...+70 °C

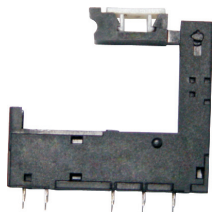


DZG08-5

8 way Jumper Link for	DZG08-4 (red), DZG08-5 (black), DZG08-6 (blue)
* Can be ordered in black, red or blue	
Technical data	
Rated values	36A / 250V
Ambient temperature	-40 ...+70 °C



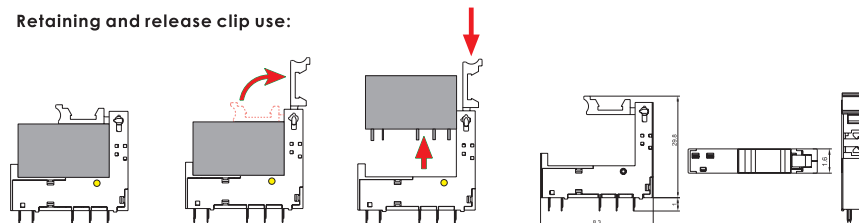
PCB socket for slim relays

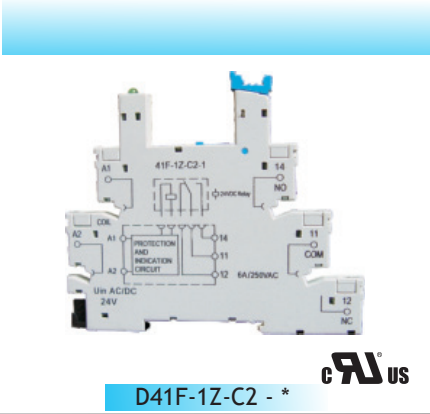


D41F-Z-A

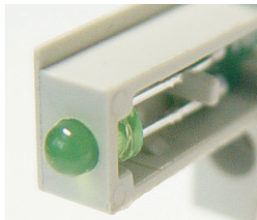
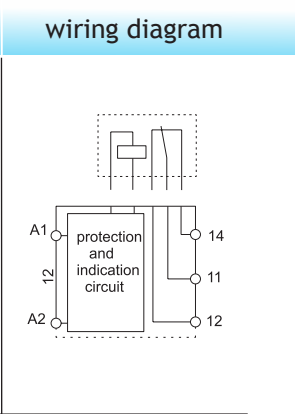
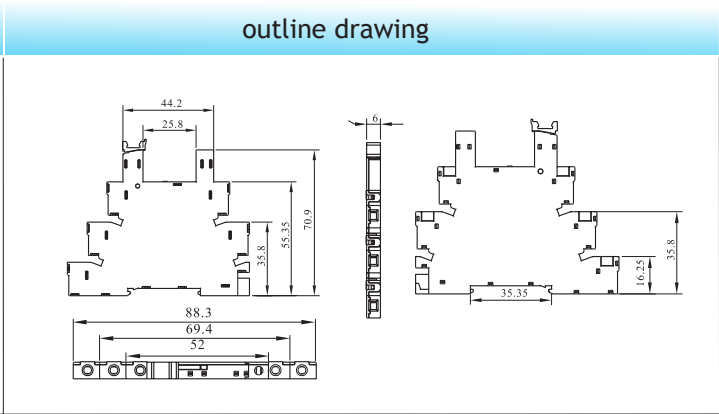
PCB socket with retaining and ejector clip	D41F-Z-A
For relay type	
Technical data	
Rated values	6A / 250V
Insulation	≥6KV (1.2/50uS) between coil and contacts
Protection category	IP20
Ambient temperature	-40 ...+70 °C

Retaining and release clip use:



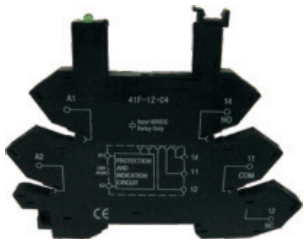


D41F-1Z-C2 - *

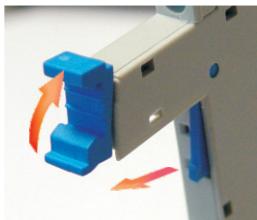
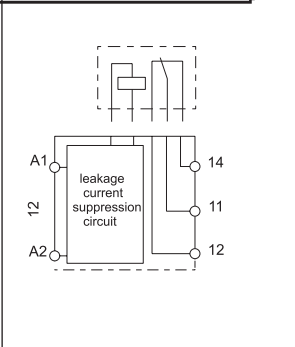
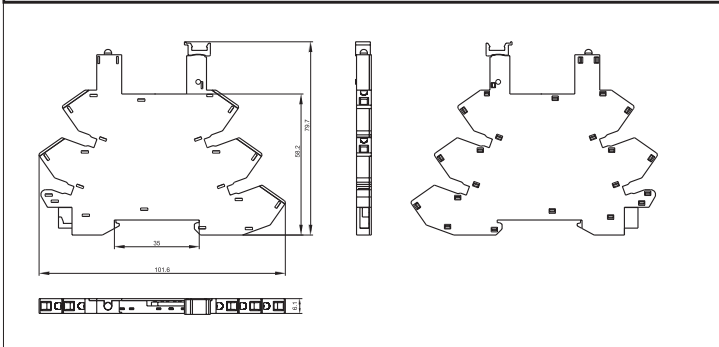


Green LED Diode indicates operate status of relay

D41F-1Z-C2-* Screw Terminal Socket		
Technical data		
Rated values	6A / 250V	
Insulation	≥6KV (1.2/50uS) between coil and contacts	
Protection category	IP20	
Ambient temperature	(-40...+70)°C (Un ≤60V), (-40...+55)°C (Un≥60V)	
Screw torque	0.5Nm	
Wire strip length	10mm	
Max wire size	solid-wire	stranded wire
	1 x 2.5 / 2 x 1.5 mm ²	1 x 2.5 mm ²
	1 x 14 / 2 x 16 AWG	1 x 14 AWG



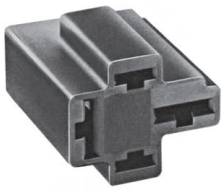

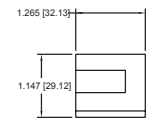
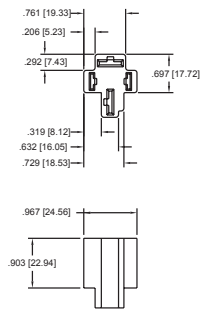


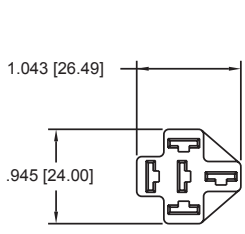
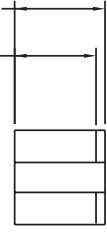


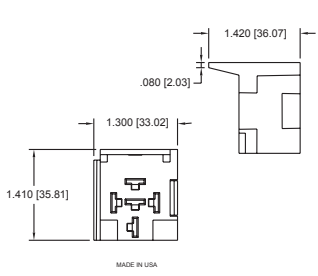
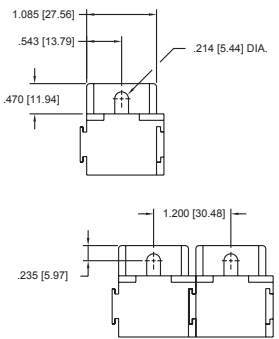


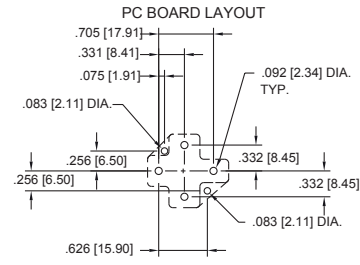
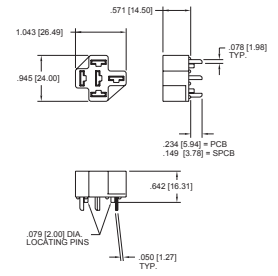
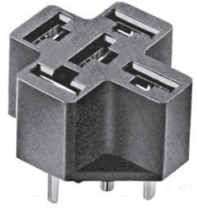

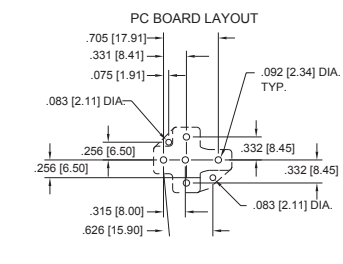
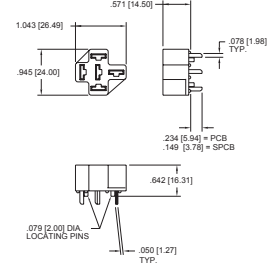
D41F-1Z-C4 - *

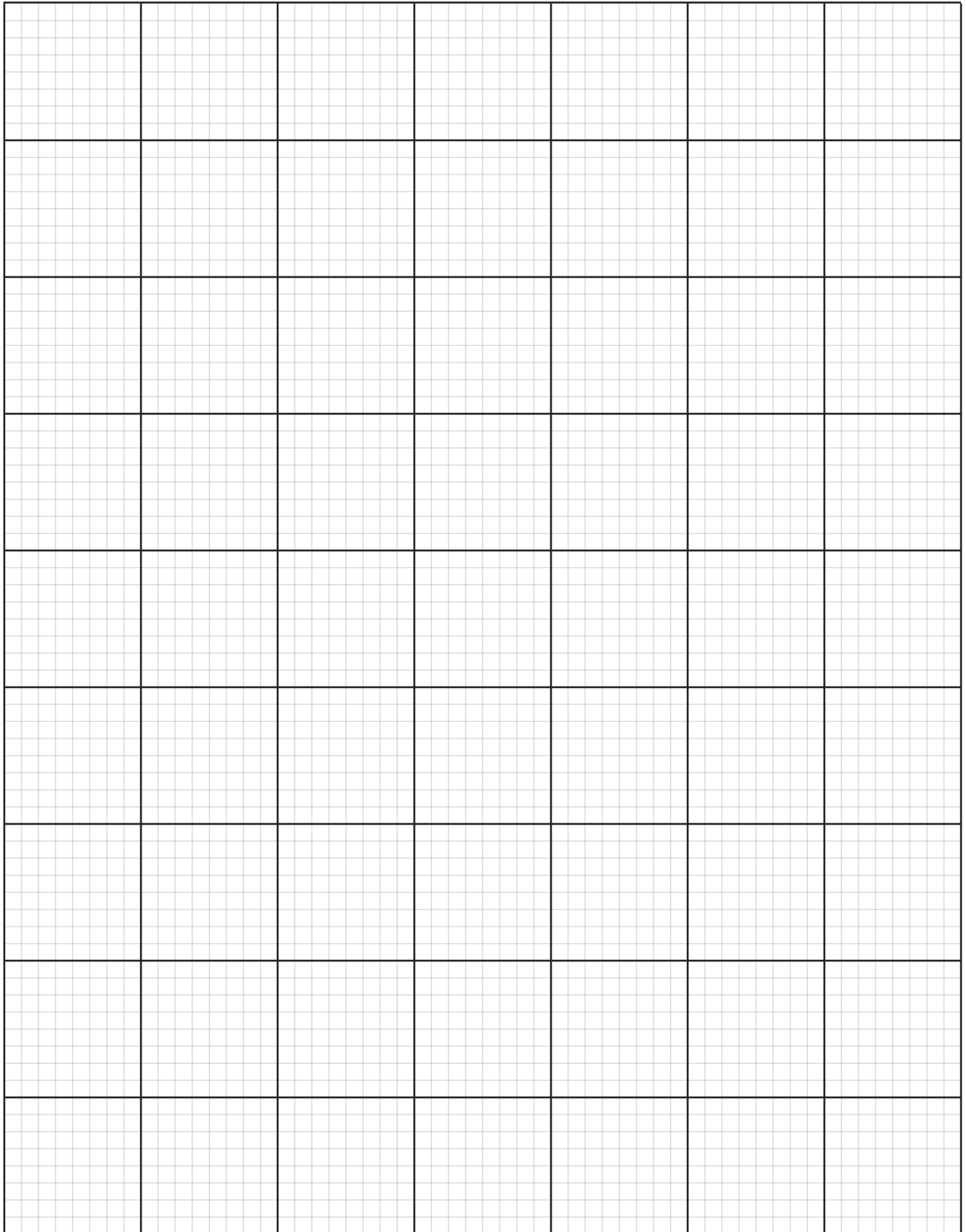


Movable ejector: Easy replacement of relay

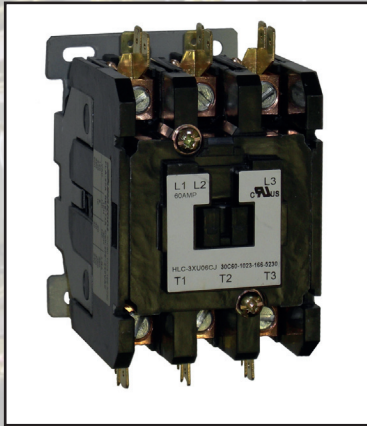
D41F-1Z-C4-* Screwless Terminal Socket		
Technical data		
Rated values	6A / 250V	
Insulation	≥6KV (1.2/50uS) between coil and contacts	
Protection category	IP20	
Ambient temperature	(-40...+70)°C (Un ≤60V), (-40...+55)°C (Un≥60V)	
Screw torque	0.5Nm	
Wire strip length	10mm	
Max wire size	Solid-wire	
	1 x 2.5 / 2 x 1.5 mm ²	
	1 x 14 / 2 x 16 AWG	

* Supply voltage order code: D14F-1Z-C2-* & D14F-1Z-C4-*						
Voltage	12VAC/DC	24VAC/DC	48VAC/DC	60VAC/DC	110/125VAC/DC	220/240VAC/DC
Code	1	2	3	4	5	6

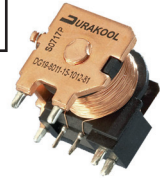
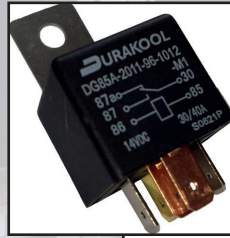
	parameters	outline drawing	wiring diagram
 <p>DZ85-4-WH</p> 	<p>Socket material : Heat stabilized thermoplastic 130°C continuous use. The DZ85-WH Housings are designed to be used with industry standard terminals (not included). Typical suitable terminals:</p> <p>FCI JW-1230-2 12-14AWG FCI JW-1630-2 16-18AWG AMP 42100 14-18AWG AMP 42281 14-18AWG AMP 42904 12-16AWG AMP 60249 12-16AWG</p>		
 <p>DZ85AB-5-WH</p> 	<p>Socket material : Heat stabilized thermoplastic 130°C continuous use. The DZ85-WH Housings are designed to be used with industry standard terminals (not included). Typical suitable terminals:</p> <p>FCI JW-1230-2 12-14AWG FCI JW-1630-2 16-18AWG AMP 42100 14-18AWG AMP 42281 14-18AWG AMP 42904 12-16AWG AMP 60249 12-16AWG</p>		
 <p>DZ85AB-5-WH</p> 	<p>Socket material : Heat stabilized thermoplastic 130°C continuous use. The DZ85-WH Housings are designed to be used with industry standard terminals (not included). Typical suitable terminals:</p> <p>FCI JW-1230-2 12-14AWG FCI JW-1630-2 16-18AWG AMP 42100 14-18AWG AMP 42281 14-18AWG AMP 42904 12-16AWG AMP 60249 12-16AWG</p>		
 <p>DZ85AB-4-PCB</p> 	<p>Socket material : Heat stabilized thermoplastic 130°C continuous use.</p>	<p>PC BOARD LAYOUT</p> 	
 <p>DZ85AB-5-PCB</p> 	<p>Socket material : Heat stabilized thermoplastic 130°C continuous use.</p>	<p>PC BOARD LAYOUT</p> 	



Other products from Durakool



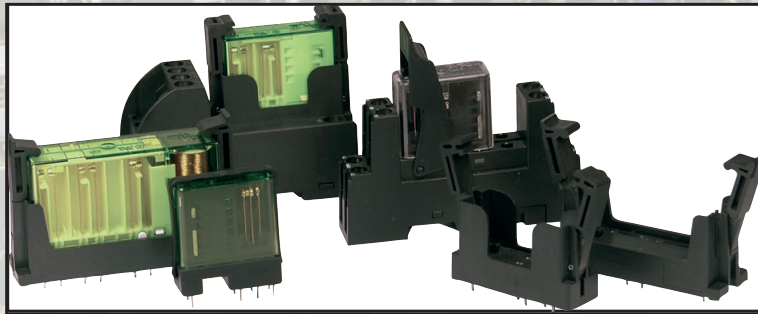
Definite Purpose Contactors



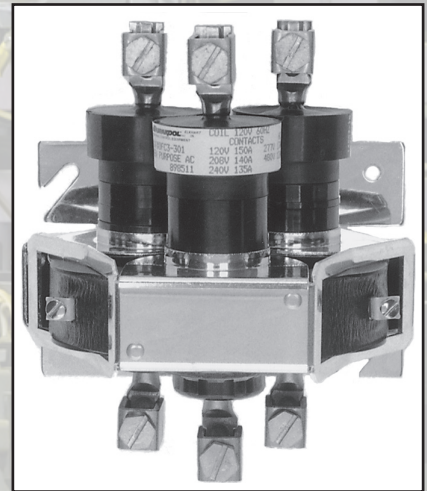
Automotive Relays



Signal & Power Relays



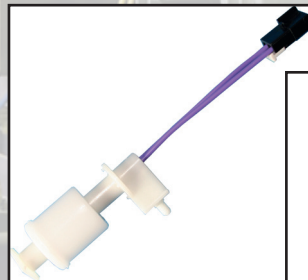
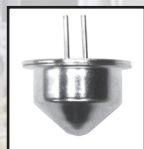
Force Guided Relays



Mercury Contactors



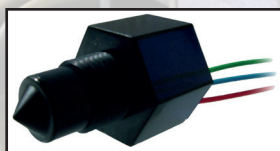
Tilt, Tip & G-Force Switches



Float Switches



Optical Liquid Level Sensors



Proximity Sensors

Due to our constant development policy, American Electronic Components Inc. reserves the right to introduce changes to the data and characteristics of the products. The devices shall be operated by skilled personnel in accordance with the regulations in force pertaining to electrical systems. The technical data is of informational nature. Thus, American Electronic Components Inc. does not accept any liability for inappropriate use of the presented products.

DURAKOOL

Durakool and American Electronic Components Inc., specializes in the design and manufacture of electronic, electrical, and mechanical components. AEC's products are shipped worldwide for a diverse set of markets which include automotive, consumer electronics, appliance, industrial control and outdoor power equipment manufacturers.

For more information, contact the AEC Sales Department toll free [USA] 888-847-6552.

Products from American Electronic Components Inc. and Durakool:

- sub-miniature relays
- miniature relays
- automotive relays
- industrial relays
- interface relays
- plug-in sockets for relays
- contactors
- timer relays
- mercury contactors
- tilt switches
- tip-over switches
- G - force switches
- float switches
- liquid level switches & sensors
- hermetic seals & feed-thru's
- sight glasses

presented by:



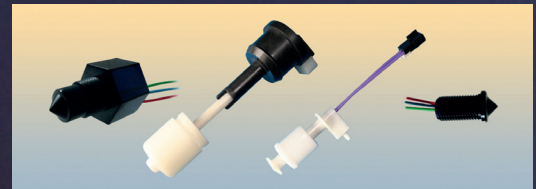
Mercury Contactors



Tilt and Tip-over Switches



Hermetic Seals



Float Switches and Liquid Level Sensors



Proximity sensors



Electromechanical Relays & D. P. Contactors

www.durakoolrelays.com

American Electronic Components Inc., 1101 Lafayette Street, Elkhart, Indiana IN46516

Tel: toll free [USA] 888-847-6552 Intl: 574-295-6330